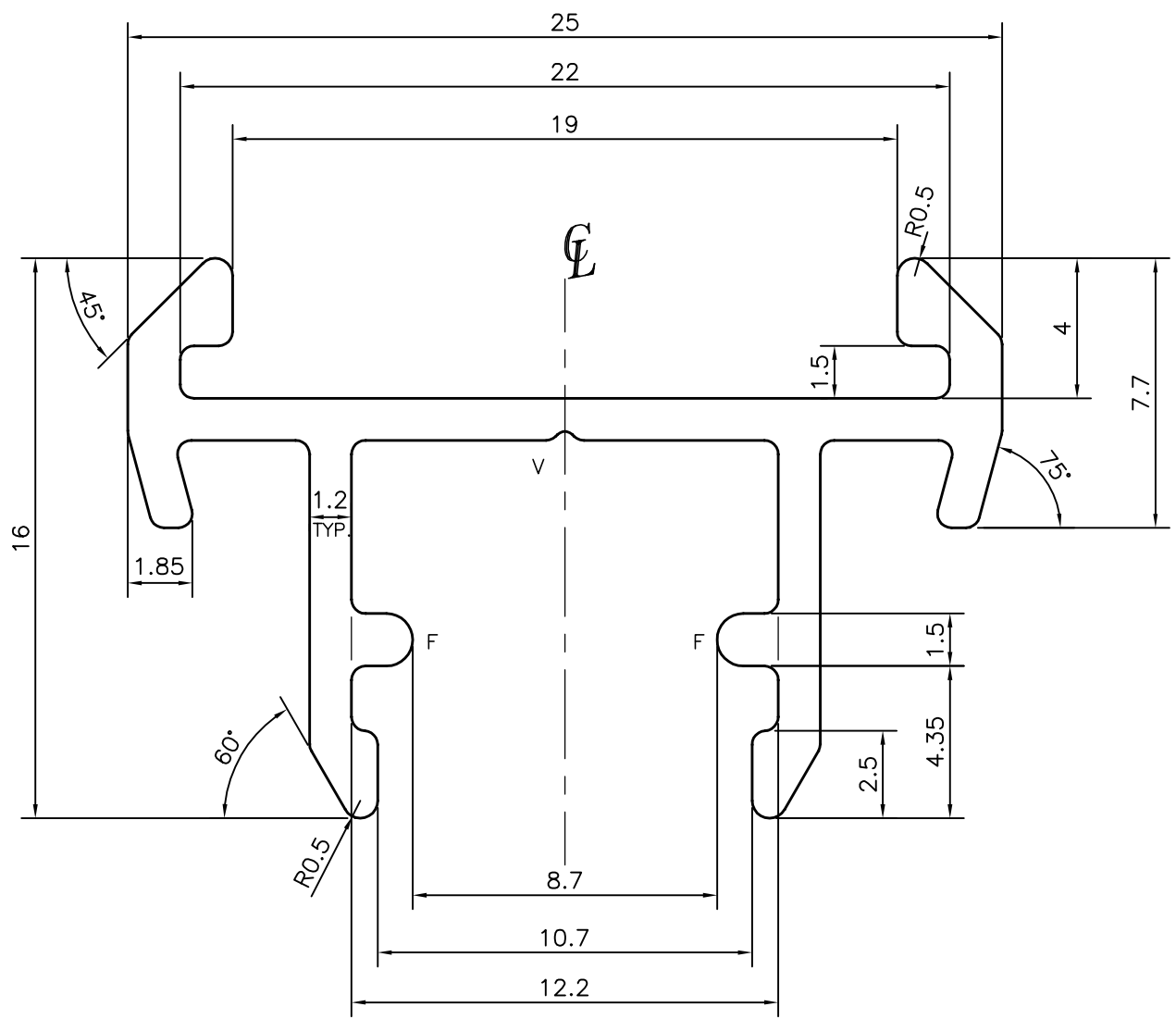
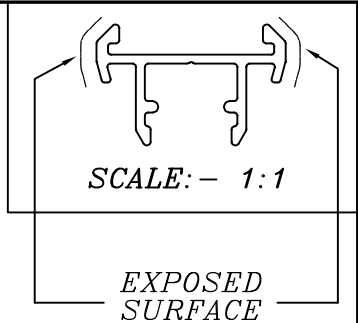
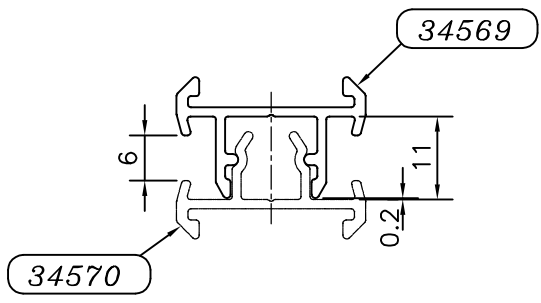


P-11735
S3259
34569



V = VEE GROOVE 0.25x90° (1 PLACE)  
 F = FULL RADIUS (2 PLACES)



**JINDAL ALUMINIUM LTD.**  
 BANGALORE-560073 (INDIA)

	NAME	DATE
DRAWN	PARVESH	28-04-2012
CHECKED		
APPROVED	S.S.CARG	03-05-2012
SCALE		5:1
AREA mm <sup>2</sup>		82.46
PERIMETER mm.		126.763
WEIGHT kg/m		0.223
DRAWING No.	SECTION No.	
P-11735	-	
S3259	S3259	
34569	34569	

1. ALL DIMENSIONS ARE IN mm. 2. ROUND OFF ALL SHARP CORNERS WITH 0.40 mm. 3. TOLERANCES WILL BE AS PER IS:3965-1981 , UNLESS OTHERWISE SPECIFIED	
PARTY'S NAME	ZEN INTERIOR, COIMBATORE
PARTY'S DRAWING No.	ZEN/18mm/004
ALLOY & TEMPER	63400 WP
DESCRIPTION	FURNITURE SECTION