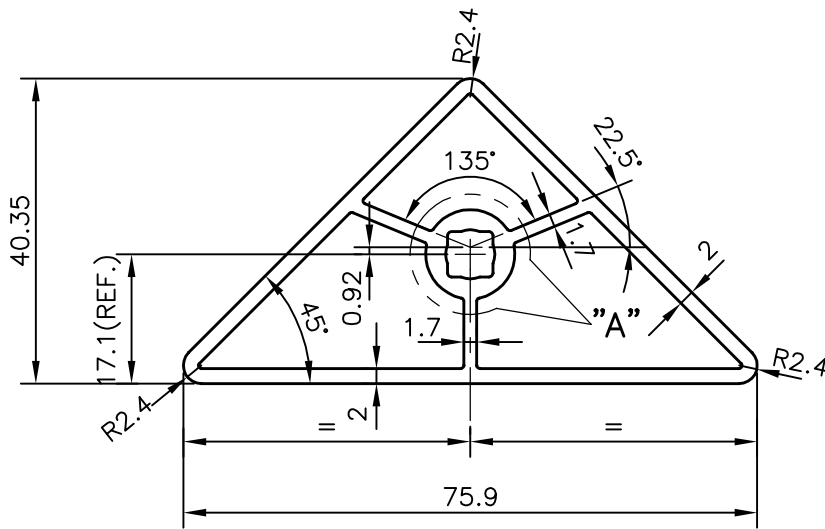
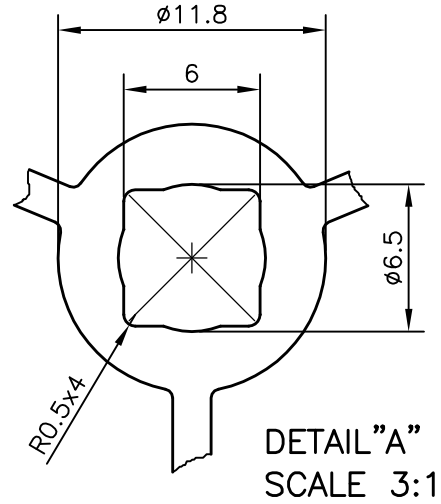


P-11882-1

S3387

34571



SYMBOL OF QUALITY
AN ISO 9001 COMPANY

JINDAL ALUMINIUM LTD.
BANGALORE-560073 (INDIA)

	NAME	DATE
DRAWN	J.P.KAUSHIK	29-06-2012
CHECKED		
APPROVED	S.S.GARG	07-07-2012

1. ALL DIMENSIONS ARE IN mm.
2. ROUND OFF ALL SHARP CORNERS WITH 0.40 mm.
3. TOLERANCES WILL BE AS PER IS:6477-1983 UNLESS OTHERWISE SPECIFIED

SCALE	1:1
AREA mm ²	484.593
PERIMETER mm.	186.73
WEIGHT kg/m	1.308

PARTY'S NAME BUROSYS FURNITURE PVT. LTD., MUMBAI

DRAWING No. SECTION No.

PARTY'S DRAWING No. AS PER SAMPLE

P-11882-1 -

ALLOY & TEMPER 6063 T6

S3387 S3387
34571 34571

DESCRIPTION FURNITURE SECTION