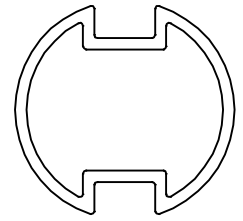


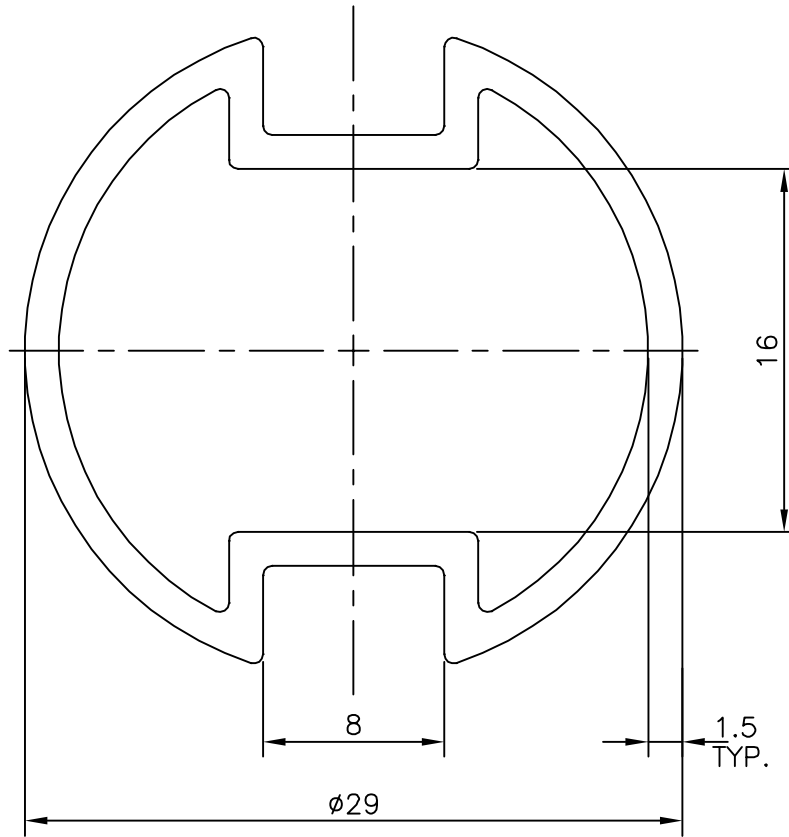
P-12297

X1640

34577



SCALE:- 1:1



SYMBOL OF QUALITY
AN ISO 9001 COMPANY

JINDAL ALUMINIUM LTD.
BANGALORE-560073 (INDIA)

	NAME	DATE
DRAWN	PARVESH	05-12-2012
CHECKED		
APPROVED	B.NATARAJA	07-12-2012
SCALE		3:1
AREA mm ²		153.909
PERIMETER mm.		106.617
WEIGHT kg/m		0.416
DRAWING No.	SECTION No.	
P-12297	-	
X1640	X1640	
34577	34577	

1. ALL DIMENSIONS ARE IN mm.
2. ROUND OFF ALL SHARP CORNERS WITH 0.40 mm.
3. TOLERANCES WILL BE AS PER, IS:6477-1983 UNLESS OTHERWISE SPECIFIED

PARTY'S NAME	FUEGO FURNITURE PVT. LTD., BANGALORE
PARTY'S DRAWING No.	SECTION 75
ALLOY & TEMPER	HE9 WP
DESCRIPTION	FURNITURE SECTION