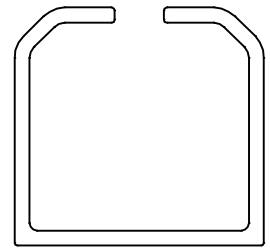
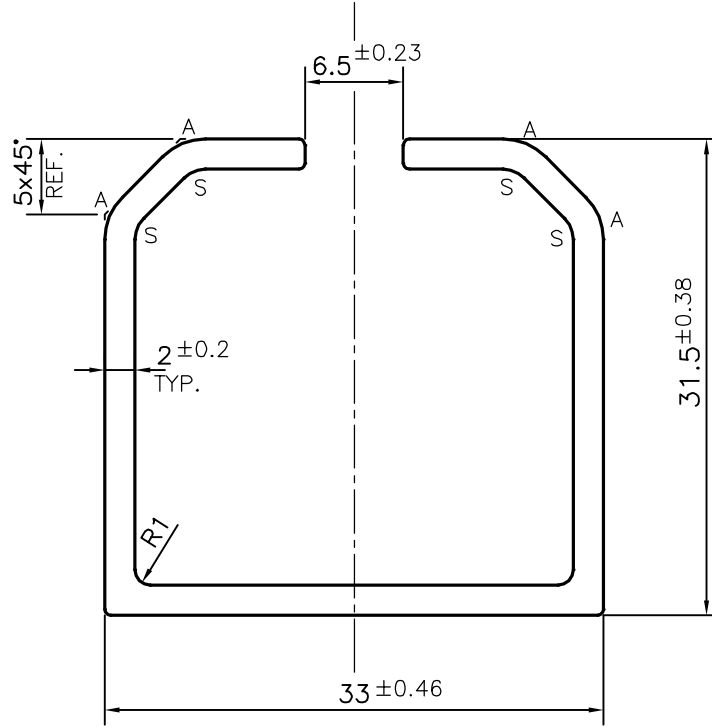


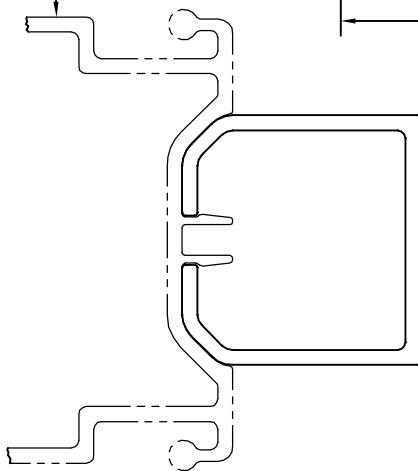
P-12451
X1653
34585



SCALE: - 1:1



34584



A = RADIUS 4 mm, (4 PLACES)
S = RADIUS 2 mm. (4 PLACES)



SYMBOL OF QUALITY
AN ISO 9001 COMPANY

JINDAL ALUMINIUM LTD.
BANGALORE-560073 (INDIA)

	NAME	DATE
DRAWN	PARVESH	17-01-2013
CHECKED		
APPROVED	S.S.GARG	31-01-2013
SCALE		2:1
AREA mm ²		217.847
PERIMETER mm.		219.736
WEIGHT kg/m		0.588
DRAWING No.	SECTION No.	
P-12451	-	
X1653	X1653	
34585	34585	

1. ALL DIMENSIONS ARE IN mm.
2. ROUND OFF ALL SHARP CORNERS WITH 0.40 mm.
3. TOLERANCES WILL BE AS PER IS:3965-1981 , UNLESS OTHERWISE SPECIFIED

PARTY'S NAME	FUEGO FURNITURE PVT. LTD., BANGALORE
PARTY'S DRAWING No.	SECTION No.39
ALLOY & TEMPER	HE9 WP
DESCRIPTION	FURNITURE SECTION