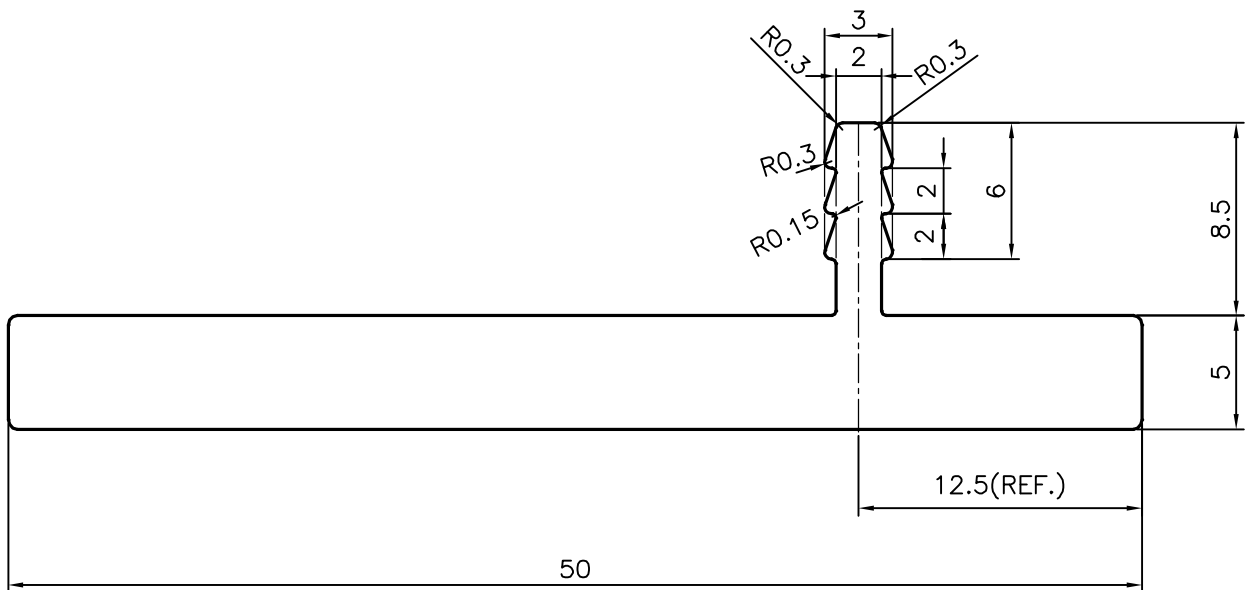
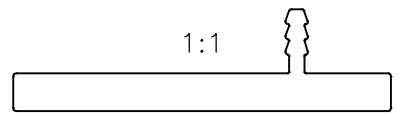


P-13987

S4364

34589

1:1



SYMBOL OF QUALITY
AN ISO 9001 COMPANY

JINDAL ALUMINIUM LTD.
BANGALORE-560073 (INDIA)

	NAME	DATE
DRAWN	J.P.KAUSHIK	12-09-2014
CHECKED		
APPROVED	S.S.GARG	23-01-2015
SCALE		3:1
AREA mm ²		269.988
PERIMETER mm.		128.18
WEIGHT kg/m		0.729
DRAWING No.	SECTION No.	
P-13987	-	
S4364	S4364	
34589	34589	

1. ALL DIMENSIONS ARE IN mm.
2. ROUND OFF ALL SHARP CORNERS WITH 0.40 mm.
3. TOLERANCES WILL BE AS PER IS:3965-1981, UNLESS OTHERWISE SPECIFIED

PARTY'S NAME	LORD IN DECOR, NEW DELHI
PARTY'S DRAWING No.	AS PER DRAWING
ALLOY & TEMPER	HE9 WP
DESCRIPTION	MISC. SECTION