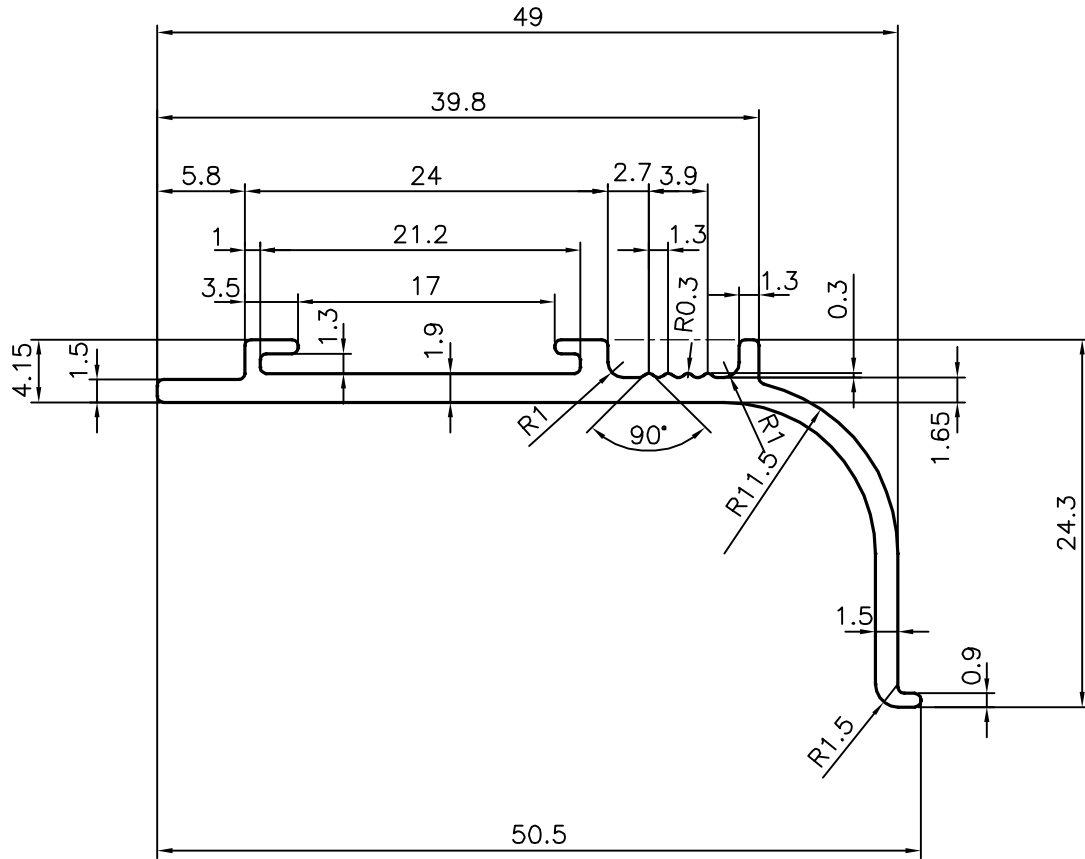
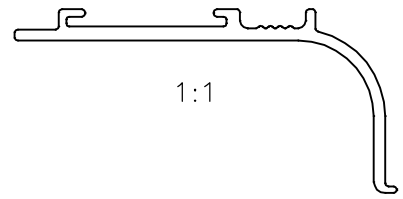


P-13908-1

S4382

34601



SYMBOL OF QUALITY
AN ISO 9001 COMPANY

JINDAL ALUMINIUM LTD.
BANGALORE-560073 (INDIA)

	NAME	DATE
DRAWN	J.P.KAUSHIK	29-01-2015
CHECKED		
APPROVED	S.S.GARG	06-02-2015
SCALE		2:1
AREA mm ²		123.147
PERIMETER mm.		154.548
WEIGHT kg/m		0.332
DRAWING No.	SECTION No.	
P-13908-1	-	
S4382	S4382	
34601	34601	

1. ALL DIMENSIONS ARE IN mm.
2. ROUND OFF ALL SHARP CORNERS WITH 0.40 mm.
3. TOLERANCES WILL BE AS PER IS:3965-1981, UNLESS OTHERWISE SPECIFIED

PARTY'S NAME	WOODCZAR INTERIORS LLP, NEW DELHI
PARTY'S DRAWING No.	AS PER SAMPLE
ALLOY & TEMPER	HE9 WP
DESCRIPTION	MISC. SECTION