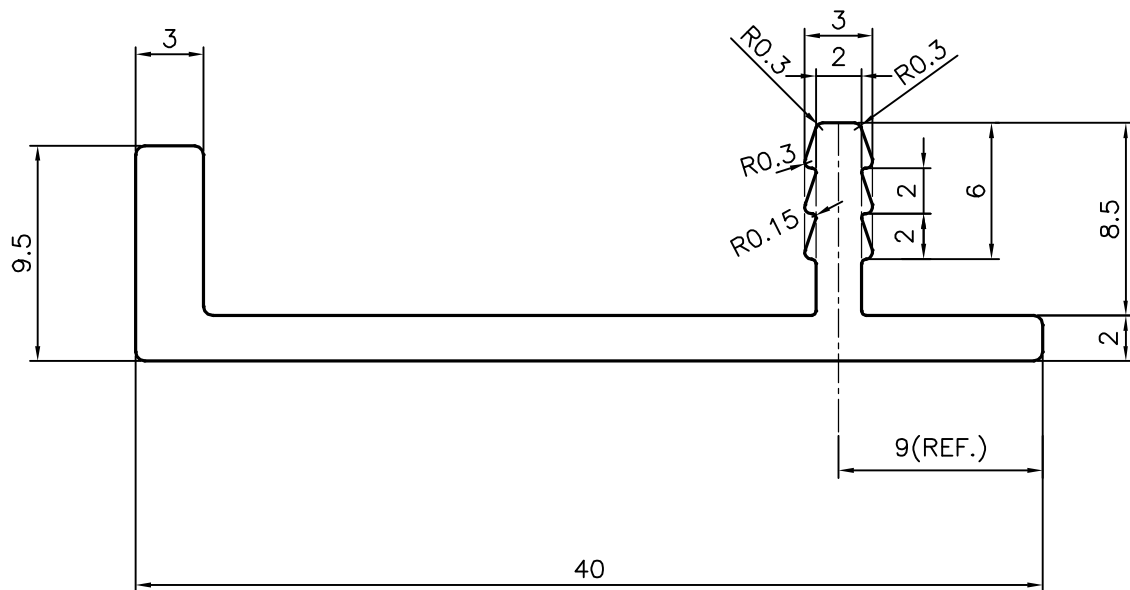
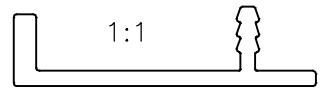


P-13986

S4320

34613



SYMBOL OF QUALITY  
AN ISO 9001 COMPANY

**JINDAL ALUMINIUM LTD.**  
BANGALORE-560073 (INDIA)

	NAME	DATE
DRAWN	J.P.KAUSHIK	12-09-2014
CHECKED		
APPROVED	S.S.GARG	11-12-2014
SCALE		3:1
AREA mm <sup>2</sup>		122.488
PERIMETER mm.		116.836
WEIGHT kg/m		0.331
DRAWING No.	SECTION No.	

1. ALL DIMENSIONS ARE IN mm.
2. ROUND OFF ALL SHARP CORNERS WITH 0.40 mm.
3. TOLERANCES WILL BE AS PER IS:3965-1981, UNLESS OTHERWISE SPECIFIED

PARTY'S NAME	LORD IN DECOR, NEW DELHI	P-13986	-
PARTY'S DRAWING No.	AS PER DRAWING	S4320	S4320
ALLOY & TEMPER	HE9 WP	34613	34613
DESCRIPTION	MISC. SECTION		