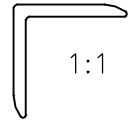


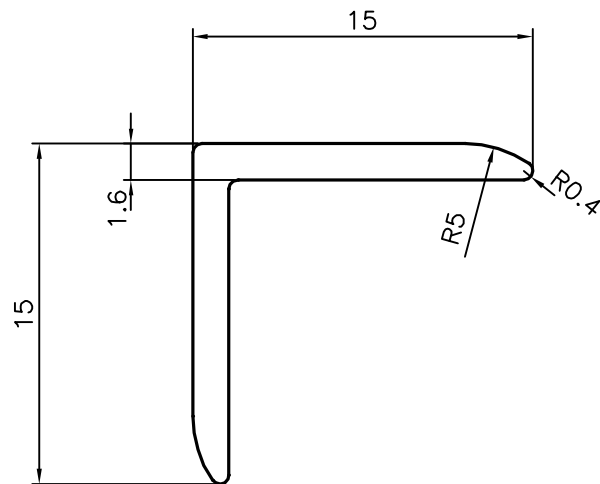
P-15227

X1922

34622



1:1



SYMBOL OF QUALITY
AN ISO 9001 COMPANY

JINDAL ALUMINIUM LTD.
BANGALORE-560073 (INDIA)

	NAME	DATE
DRAWN	J.P.KAUSHIK	08-10-2015
CHECKED		
APPROVED	S.S.GARG	10-10-2015
SCALE		3:1
AREA mm ²		43.461
PERIMETER mm.		57.693
WEIGHT kg/m		0.117
DRAWING No.		SECTION No.
P-15227		-
X1922		X1922
34622		34622

1. ALL DIMENSIONS ARE IN mm.
2. ROUND OFF ALL SHARP CORNERS WITH 0.40 mm.
3. TOLERANCES WILL BE AS PER IS:3965-1981, UNLESS OTHERWISE SPECIFIED

PARTY'S NAME: FALANX FLOOR SOLUTIONS PVT. LTD.,
BANGALORE

PARTY'S DRAWING No. CDR-9004143

ALLOY & TEMPER: HE9 WP

DESCRIPTION: EQUAL ANGLE-MISC.