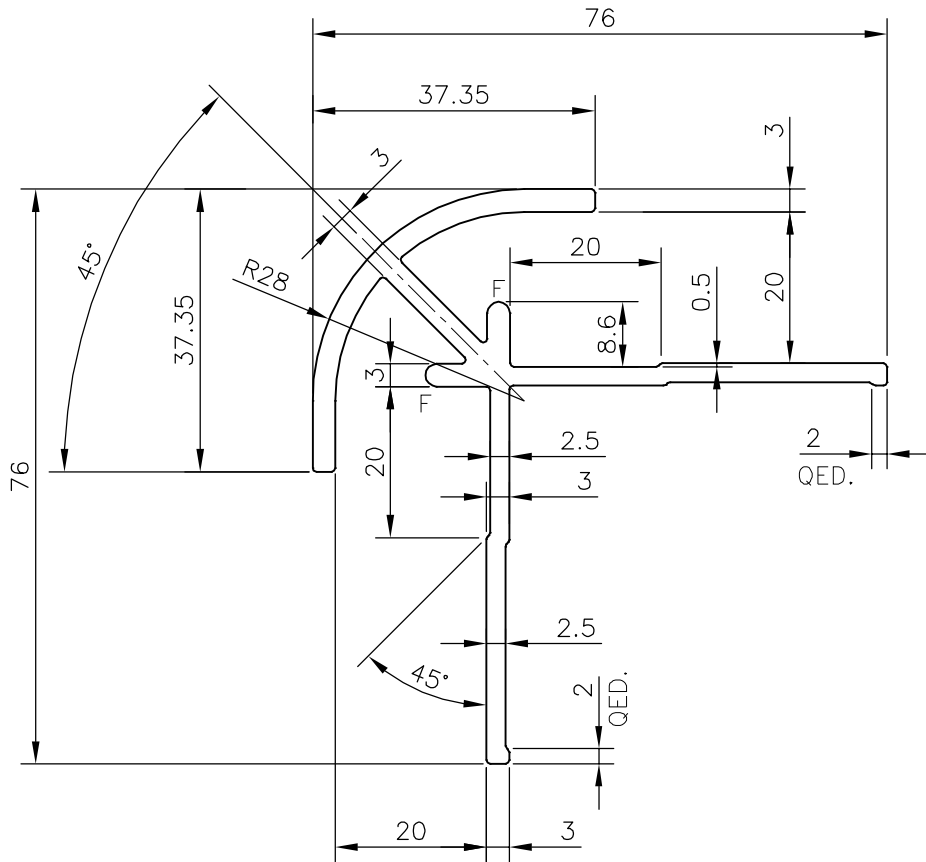


P-16816-1
S5311
34627



F : FULL RADIUS (2 PLACES)



SYMBOL OF QUALITY
AN ISO 9001 COMPANY

JINDAL ALUMINIUM LTD.
BANGALORE-560073 (INDIA)

| | NAME | DATE |
|----------------------|-----------|-------------|
| DRAWN | KIRAN | 16-02-2017 |
| CHECKED | | |
| APPROVED | B.NATARAJ | 24-02-2017 |
| SCALE | | 1:1 |
| AREA mm ² | | 542.063 |
| PERIMETER mm. | | 390.964 |
| WEIGHT kg/m | | 1.464 |
| DRAWING No. | | SECTION No. |
| P-16816-1 | | |
| S5311 | | S5311 |
| 34627 | | 34627 |
| | | |
| | | |

1. ALL DIMENSIONS ARE IN mm.
2. ROUND OFF ALL SHARP CORNERS WITH 0.50 mm.
3. TOLERANCES WILL BE AS PER IS:3965-1981, UNLESS OTHERWISE SPECIFIED

| | |
|---------------------|--|
| PARTY'S NAME | ECOEARTH SOLUTIONS OPC PVT. LTD., MUMBAI |
| PARTY'S DRAWING No. | L CORNER PROFILE & REQUIREMENT |
| ALLOY & TEMPER | 6063 T6 |
| DESCRIPTION | INDUSTRIAL MISC. SECTION |