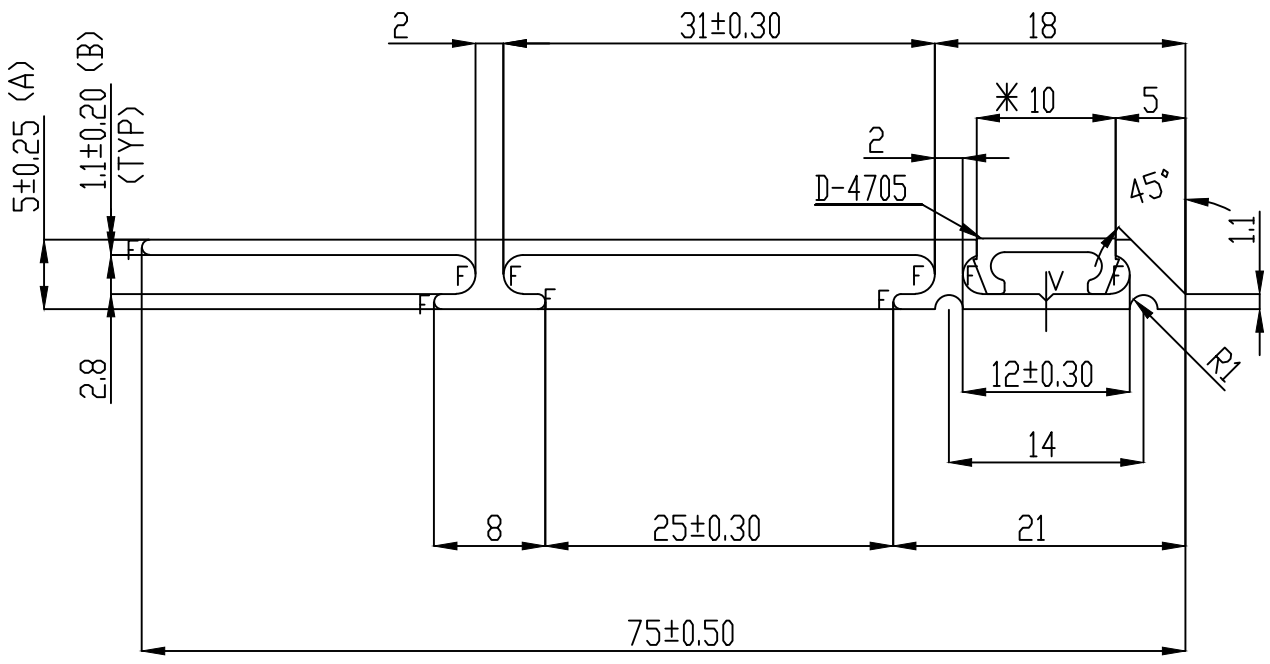



IAL-D-5268
34648



TWIST=±1/4°/300 M.M./M.
 STRAIGHTNESS = 1.50 M.M./MTR.
 ANGULARITY =±1.5°

NOTE:-
 F= Full Radius
 V= 0.50X90 °

 SYMBOL OF QUALITY AN ISO 9001 COMPANY	JINDAL ALUMINIUM LTD. BANGALORE-560073 (INDIA)	NAME	DATE
		DRAWN	PARVESH 08-01-2022
1. ALL DIMENSIONS ARE IN mm. 2. ROUND OFF ALL SHARP CORNERS WITH 0.40 mm. 3. TOLERANCES WILL BE AS PER IS:3965-1981 , UNLESS OTHERWISE SPECIFIED		CHECKED	
		APPROVED	
PARTY'S NAME -		SCALE	2:1
		AREA mm ²	118.50
PARTY'S DRAWING No. AS PER DRAWING		PERIMETER mm.	190.22
		WEIGHT kg/m	0.320
ALLOY & TEMPER 6063 T6		DRAWING No.	SECTION No.
		IAL-D-5268	-
DESCRIPTION FURNITURE SECTION		34648	34648