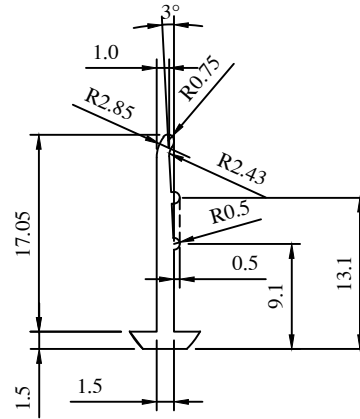
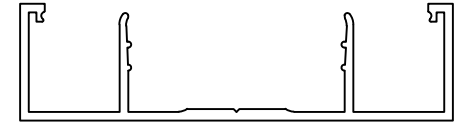


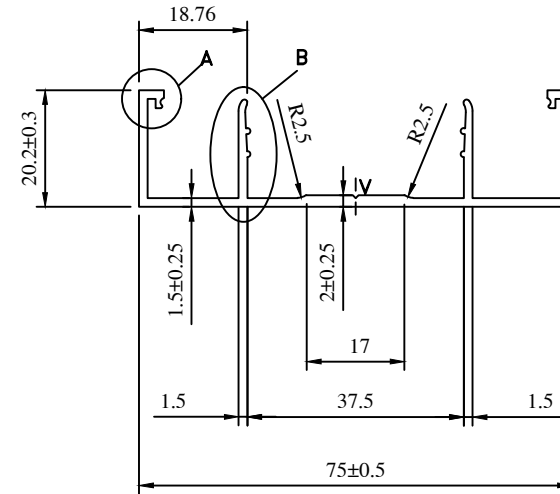
DETAIL AT = A



DETAIL AT = B




SCALE: 1:1



Note:-

$V = 0.5 \times 1 \times 90^\circ$

 SYMBOL OF QUALITY AN ISO 9001 COMPANY	JINDAL ALUMINIUM LTD. BANGALORE-560073 (INDIA)		NAME	DATE
			DRAWN	S.K.SHARMA 11-03-2022
			CHECKED	
			APPROVED	
1. ALL DIMENSIONS ARE IN mm. 2. ROUND OFF ALL SHARP CORNERS WITH 0.40 mm. 3. TOLERANCES WILL BE AS PER IS:6477-1983 , UNLESS OTHERWISE SPECIFIED			SCALE	1:1&4:1
			AREA mm ²	237.75
			PERIMETER mm.	315.88
			WEIGHT kg/m	0.642
PARTY'S NAME	M/S. HARMONY SYSTEM	DRAWING No.	SECTION No.	
PARTY'S DRAWING No.	AS PER DRAWING	IAL-D-5340	-	
ALLOY & TEMPER	6063 T6	34653	34653	
DESCRIPTION	FURNITURE SECTION			