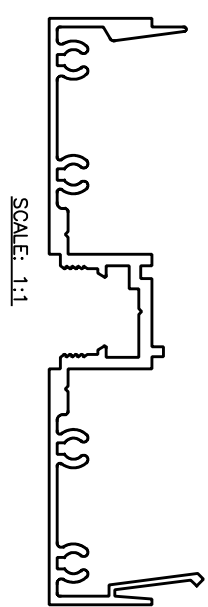
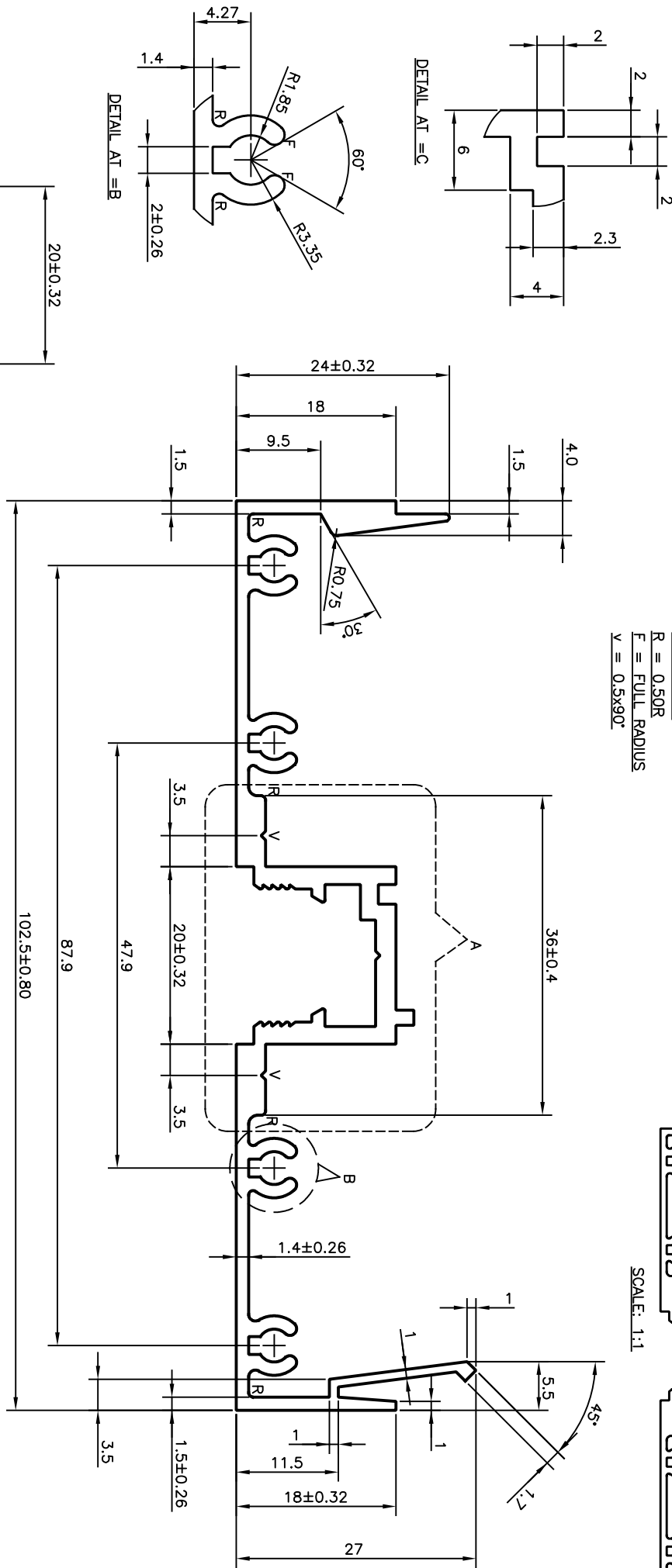


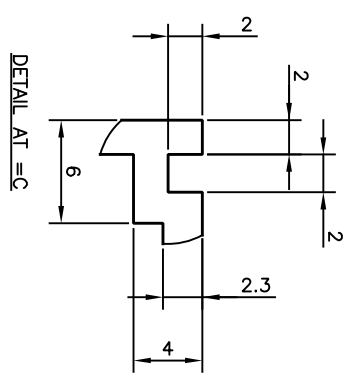
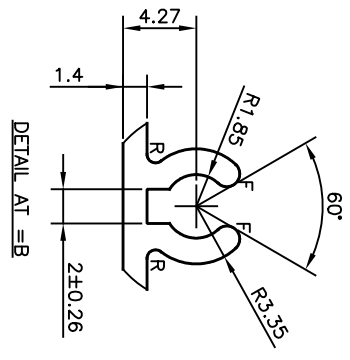
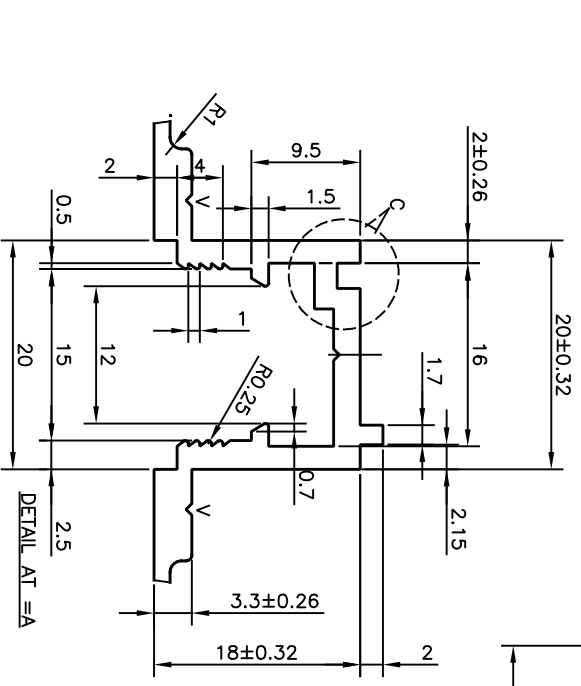
NOTE:-
O = 0.25R
R = 0.5OR
E = FULL RADIUS
V = 0.5x90°



SCALE: 1:1



TWIST = $\pm 1/4^\circ/300$ mm./mtr.
FLATNESS = WIDTH X 0.005mm.
STRAIGHTNESS = 1.50 mm./mtr.
ANGULARITY = $\pm 1.5^\circ$



<p>JINDAL ALUMINIUM LTD. BANGALORE-560073 (INDIA)</p>		SYMBOL OF QUALITY	AN ISO 9001 COMPANY
		<p>1. ALL DIMENSIONS ARE IN mm. 2. ROUND OFF ALL SHARP CORNERS WITH 0.40 mm. 3. TOLERANCES WILL BE AS PER IS:6477-1983, UNLESS OTHERWISE SPECIFIED</p>	
PARTY'S NAME		M/S. HARMONY SYSTEMS	
PARTY'S DRAWING No.		AS PER DRAWING	
ALLOY & TEMPER		6063 T6	
DESCRIPTION		-	
DRAWN	S.K.SHARMA	DATE	19-03-2022
CHECKED			
APPROVED			
SCALE		1:1	2:1 & 3:1
AREA	mm ²	421.3	
PERIMETER	mm.	490.3	
WEIGHT	kg/m	1.138	
DRAWING No.		SECTION No.	
IAL-D-4708			
34656			