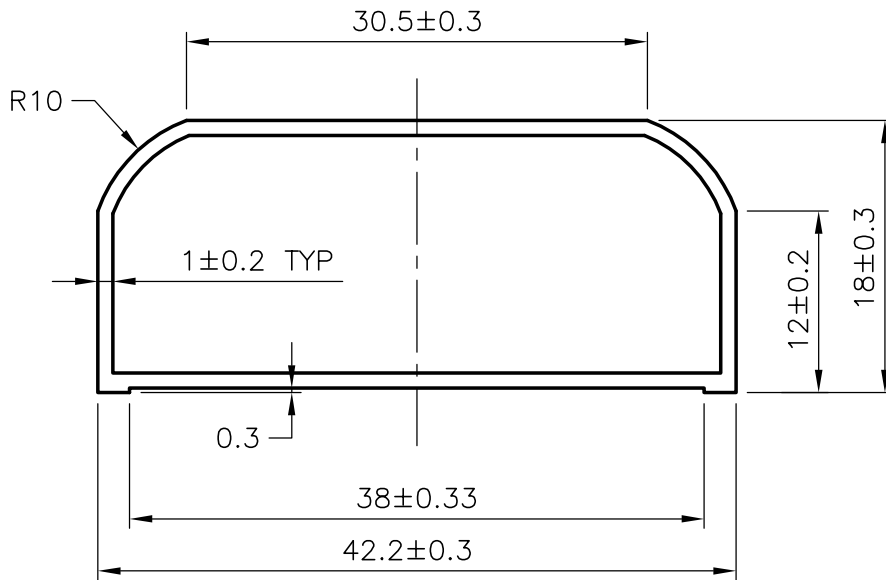
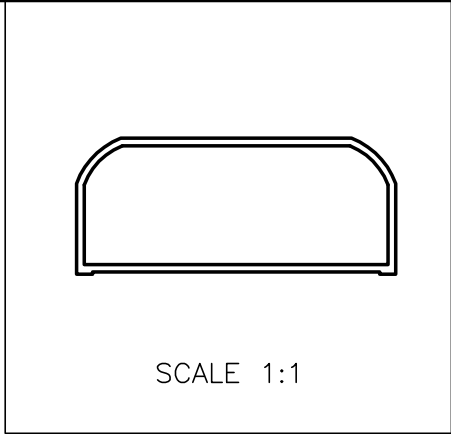



X153
X172
35010



 SYMBOL OF QUALITY AN ISO 9002 COMPANY	JINDAL ALUMINIUM LTD. BANGALORE-560073 (INDIA)		NAME	DATE
		DRAWN	RANGASWAMY	08-03-01
1. ALL DIMENSIONS ARE IN mm. 2. ROUND OFF ALL SHARP CORNERS WITH 0.40 mm. 3. TOLERANCES WILL BE AS PER IS:6477-1983 UNLESS OTHERWISE SPECIFIED		CHECKED		
		APPROVED		
PARTY'S NAME	COMPLETE SURVEYING TECHNOLOGIES(p) LTD .,NOIDA	SCALE	2:1 & 1:1	
PARTY'S DRAWING No.	AS PER DRAWING (B-797)	WEIGHT kg/m	0.299	
ALLOY & TEMPER	HE9 WP	SECTION No.	35010	
DESCRIPTION	-	DRAWING No.	35010	