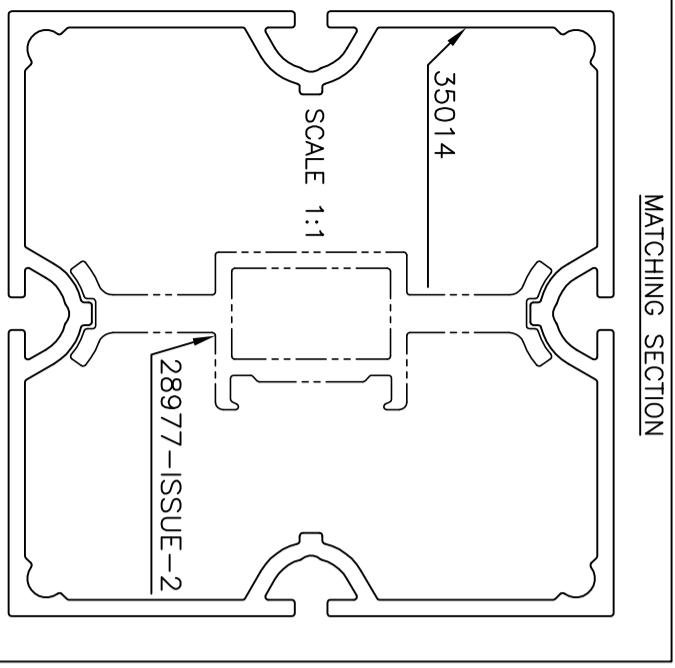
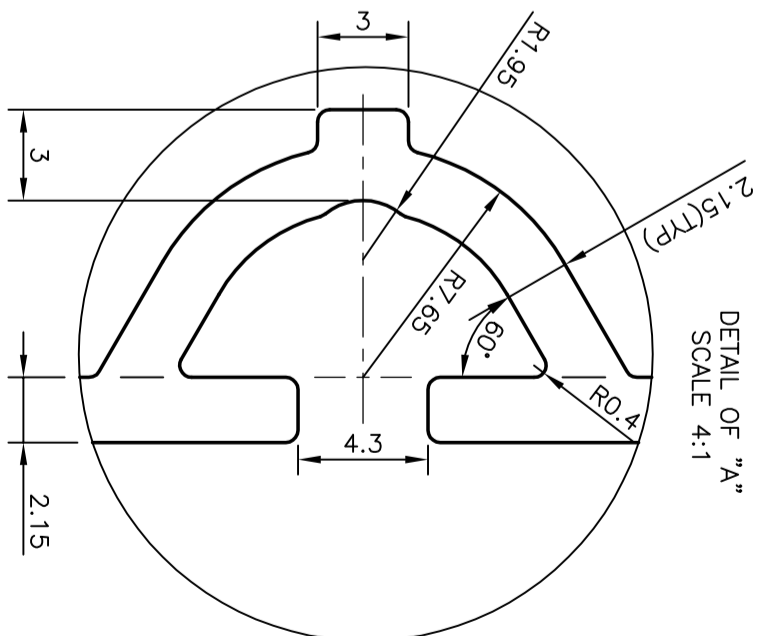
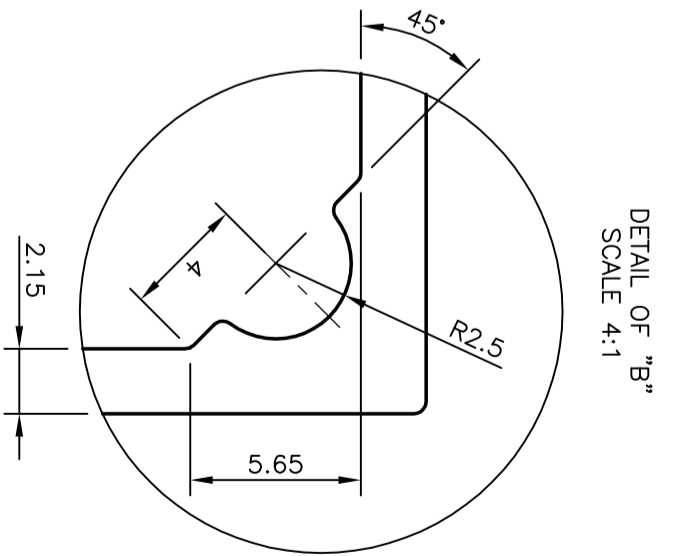
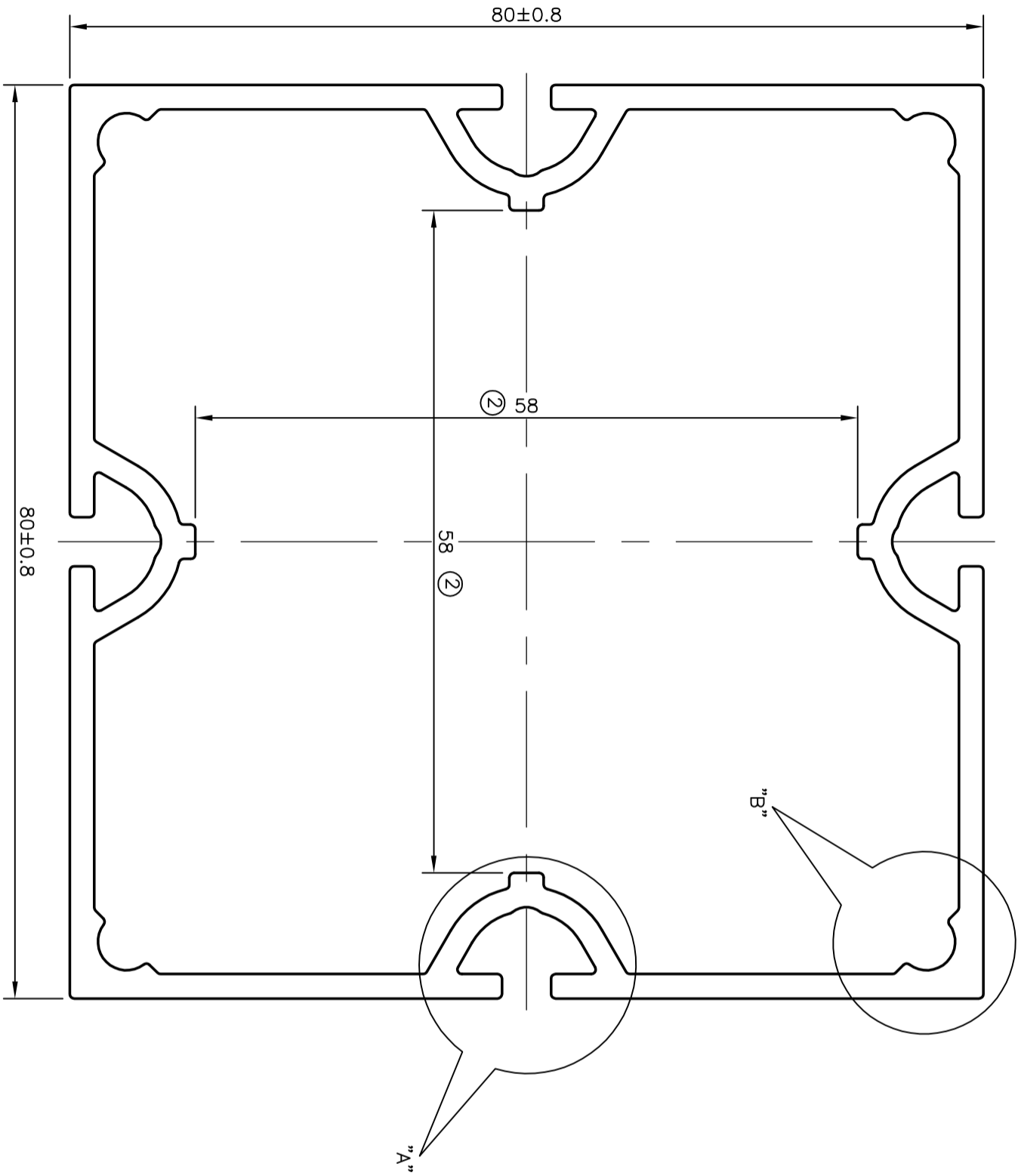



P-7331
X702
35014



ISSUE - ② DIMENSION ADDED 58.00 mm & THIS SECTION MATCH WITH SECTION NO-28977-ISSUE-2

 <b>JINDAL ALUMINIUM LTD.</b> BANGALORE-560073 (INDIA)		SYMBOL OF QUALITY AN ISO 9001 COMPANY
1. ALL DIMENSIONS ARE IN mm. 2. ROUND OFF ALL SHARP CORNERS WITH 0.40 mm. 3. TOLERANCES WILL BE AS PER IS:6477-1983 UNLESS OTHERWISE SPECIFIED		
PARTY'S NAME	ALUMINIUM TRADING CO., NEW DELHI	
PARTY'S DRAWING No.	AS PER DRAWING	
ALLOY & TEMPER	HE9 WP	
DESCRIPTION	DISPLAY SECTION	
NAME	DATE	
DRAWN PRASANN. H	27-06-2007	
CHECKED		
APPROVED		
SCALE	2:1	
AREA mm <sup>2</sup>	853.208	
PERIMETER mm.	418.163	
WEIGHT kg/m	2.304	
DRAWING No.	SECTION No.	
P-7331	-	
X702	X702-ISSUE-2	
35014	35014	