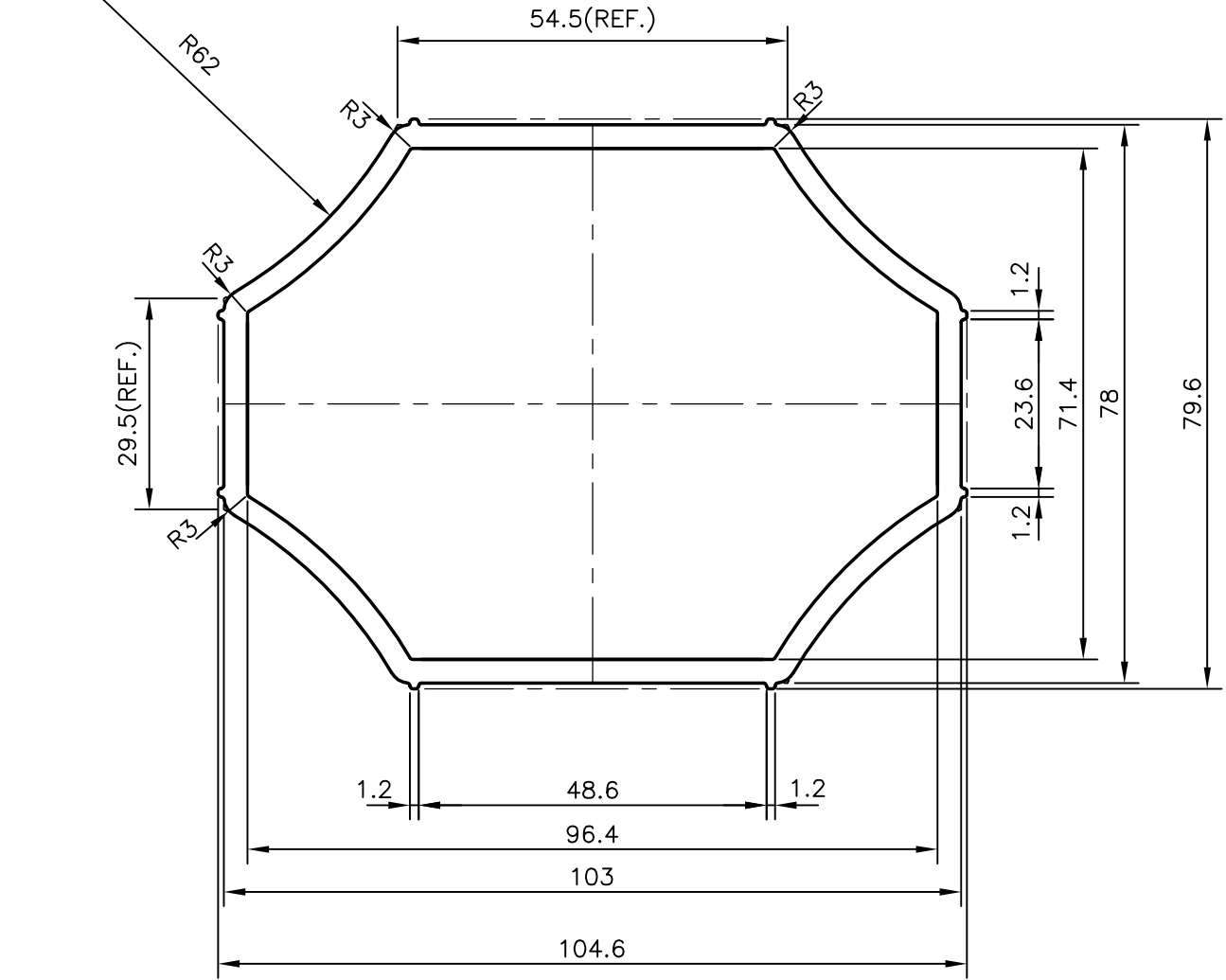
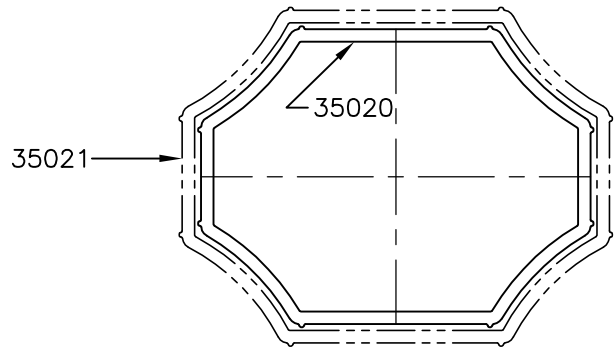


P-9972-1

35020



SYMBOL OF QUALITY
AN ISO 9001 COMPANY

JINDAL ALUMINIUM LTD.
BANGALORE-560073 (INDIA)

	NAME	DATE
DRAWN	J.P.KAUSHIK	08-05-2010
CHECKED		
APPROVED	S.S.GARG	18-05-2010
SCALE		1:1
AREA mm ²		977.883
PERIMETER mm.		311.853
WEIGHT kg/m		2.640
DRAWING No.	SECTION No.	
P-9972-1	-	
35020	35020	

1. ALL DIMENSIONS ARE IN mm.
2. ROUND OFF ALL SHARP CORNERS WITH 0.40 mm.
3. TOLERANCES WILL BE AS PER IS:6477-1983 UNLESS OTHERWISE SPECIFIED

PARTY'S NAME	GENERAL CATEGORY, DELHI MARKET
PARTY'S DRAWING No.	AS PER DRAWING
ALLOY & TEMPER	HE9 WP
DESCRIPTION	MISC. TUBE