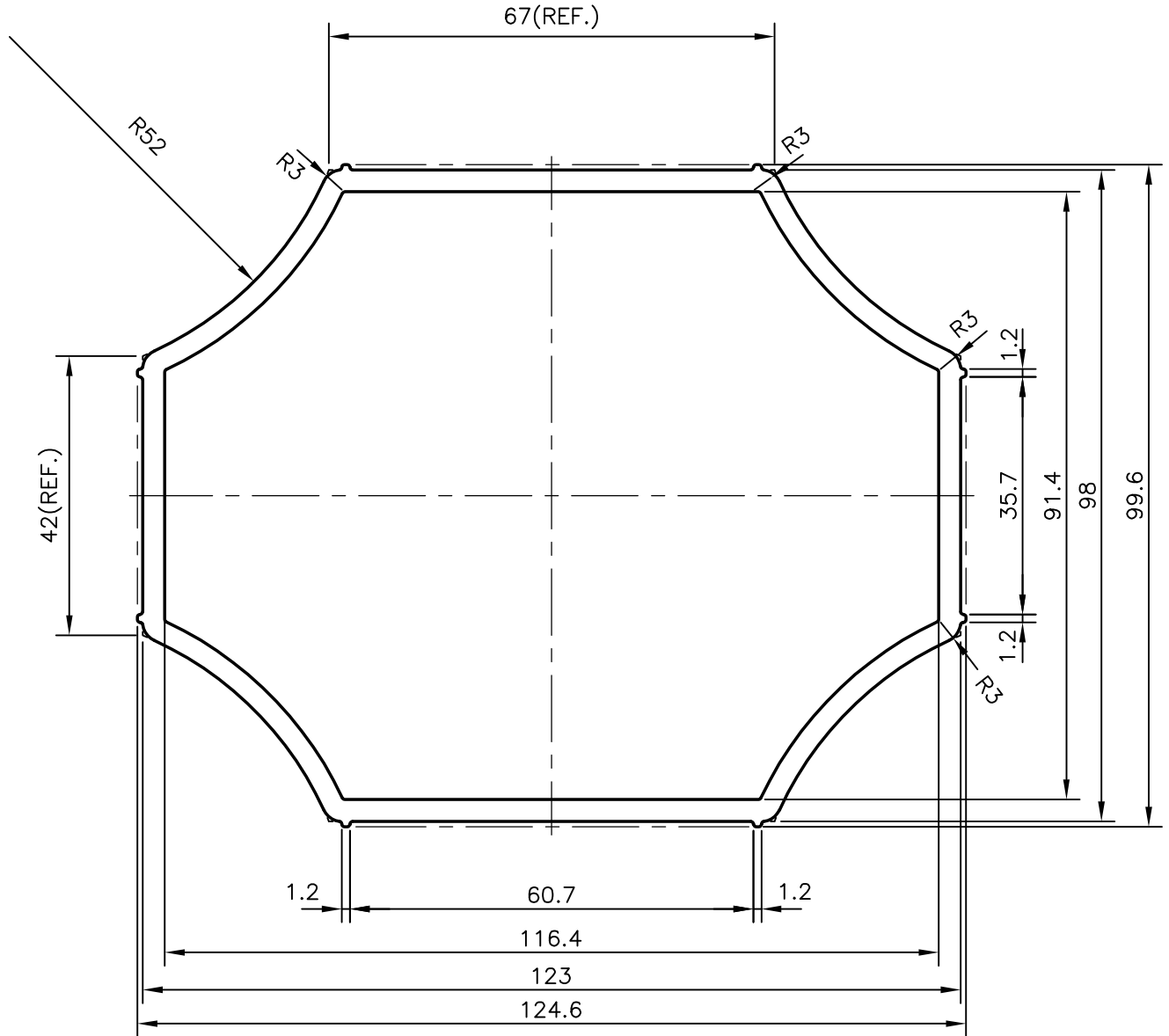
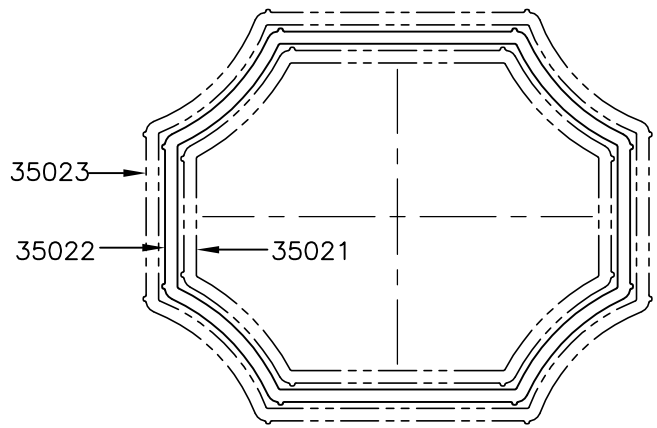


P-9974-1

35022



SYMBOL OF QUALITY  
AN ISO 9001 COMPANY

**JINDAL ALUMINIUM LTD.**  
BANGALORE-560073 (INDIA)

	NAME	DATE
DRAWN	J.P.KAUSHIK	04-05-2010
CHECKED		
APPROVED	S.S.GARG	18-05-2010
SCALE		1:1
AREA mm <sup>2</sup>		1217.284
PERIMETER mm.		384.312
WEIGHT kg/m		3.287
DRAWING No.	SECTION No.	
P-9974-1	-	
35022	35022	

1. ALL DIMENSIONS ARE IN mm.
2. ROUND OFF ALL SHARP CORNERS WITH 0.40 mm.
3. TOLERANCES WILL BE AS PER IS:6477-1983 UNLESS OTHERWISE SPECIFIED

PARTY'S NAME	GENERAL CATEGORY, DELHI MARKET
PARTY'S DRAWING No.	AS PER DRAWING
ALLOY & TEMPER	HE9 WP
DESCRIPTION	MISC. TUBE