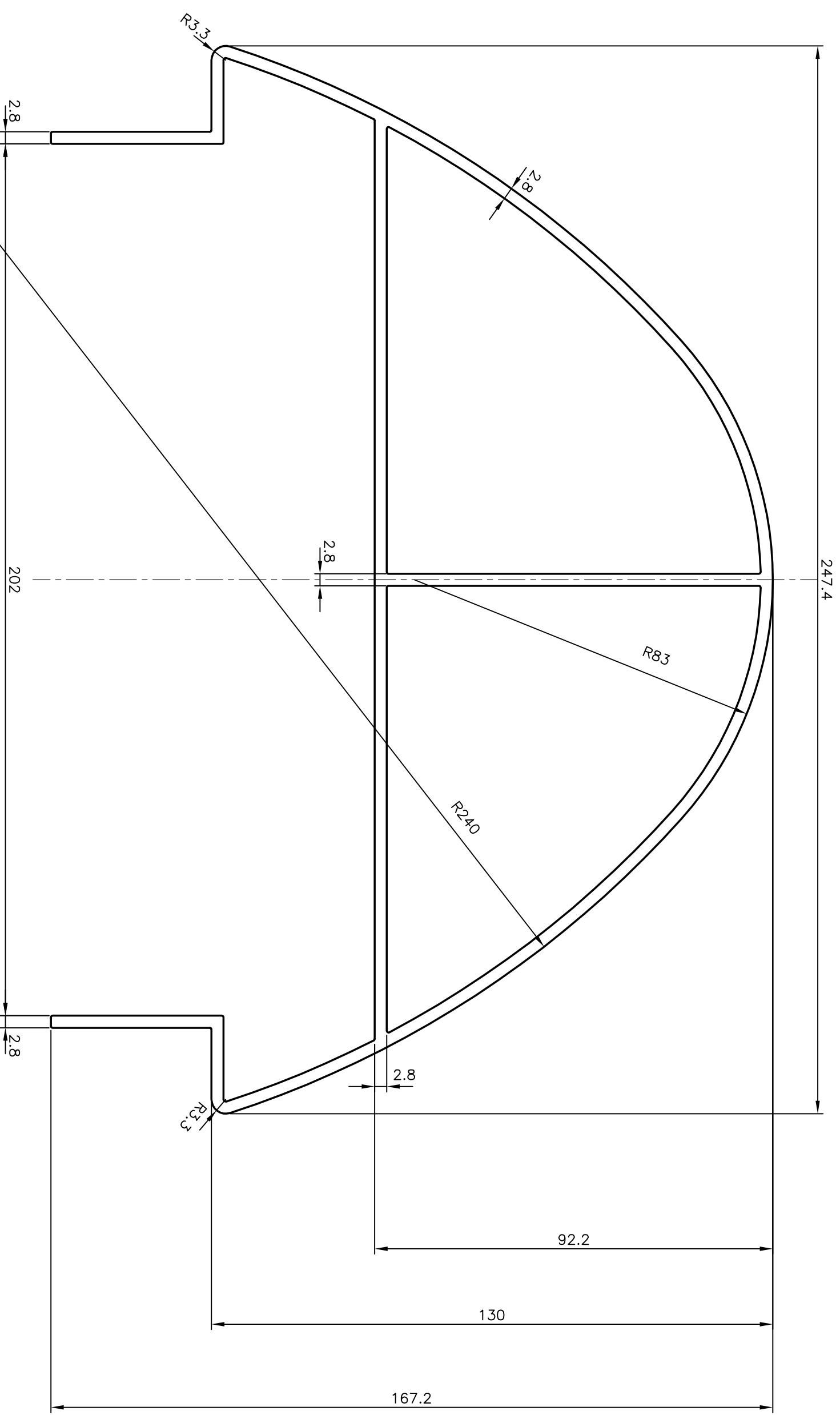


P-10431

35030



SYMBOL OF QUALITY
AN ISO 9001 COMPANY

JINDAL ALUMINIUM LTD.
BANGALORE-560073 (INDIA)

1. ALL DIMENSIONS ARE IN mm.
2. ROUND OFF ALL SHARP CORNERS WITH 0.40 mm.
3. TOLERANCES WILL BE AS PER BS:EN-755 UNLESS OTHERWISE SPECIFIED

PARTY'S NAME	SIGN WORKS LLC, UAE	SCALE	1:1
PARTY'S DRAWING No.	AS PER DRAWING	AREA mm ²	2209.068
ALLOY & TEMPER	6063 T6	PERIMETER mm.	906.229
DESCRIPTION/END USE	DISPLAY SECTION	WEIGHT kg/m	5.964
		DRAWING No.	SECTION No.
		P-10431	-
		35030	35030

NAME	J.P. KAUSHIK	DATE	28-09-2010
DRAWN			
CHECKED			
APPROVED	S.S.GARG		04-10-2010