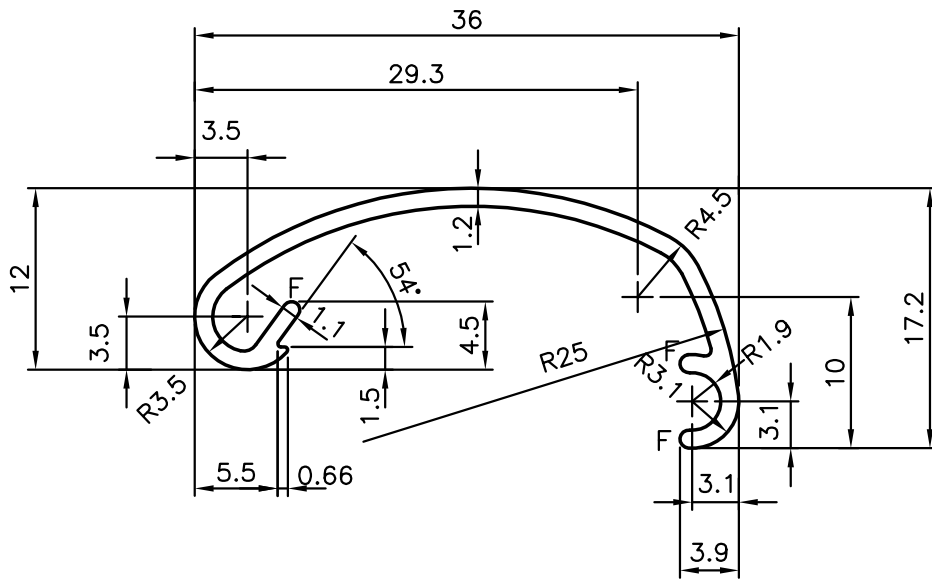
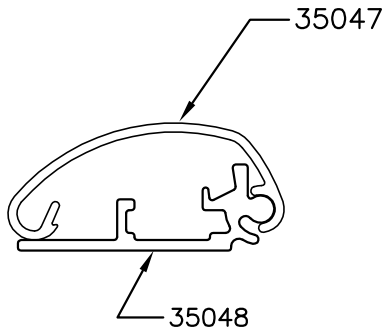
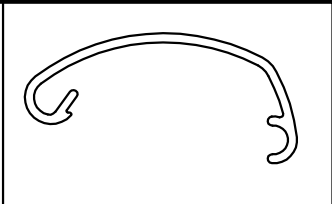



P-9704
S2431
35047



GENERAL WALL THICKNESS 1.2 (TYP)  
 F = FULL RADIUS(3)

 SYMBOL OF QUALITY AN ISO 9001 COMPANY	<b>JINDAL ALUMINIUM LTD.</b> BANGALORE-560073 (INDIA)			NAME	DATE
		DRAWN	J.P.KAUSHIK	26-12-2009	CHECKED
1. ALL DIMENSIONS ARE IN mm. 2. ROUND OFF ALL SHARP CORNERS WITH 0.40 mm. 3. TOLERANCES WILL BE AS PERIS:3965-1981 UNLESS OTHERWISE SPECIFIED		SCALE		2:1	
		AREA mm <sup>2</sup>		74.947	
PARTY'S NAME OPAL VINYL WIZARD, TRICHY		PERIMETER mm.		124.754	
		WEIGHT kg/m		0.202	
PARTY'S DRAWING No. AS PER SAMPLE		DRAWING No.		SECTION No.	
		P-9704		-	
ALLOY & TEMPER HE9 WP		S2431		S2431	
		35047		35047	
DESCRIPTION DISPLAY SECTION					