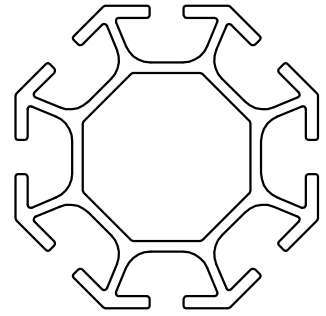


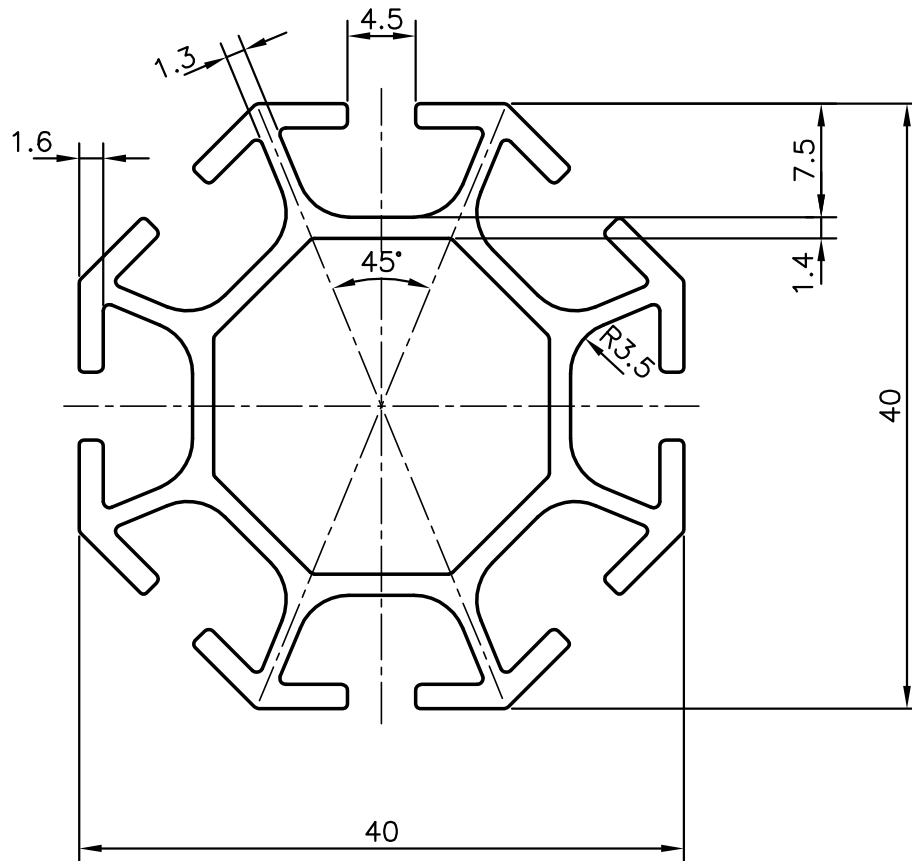
P-11601

S3229

35053



SCALE :- 1:1



SYMBOL OF QUALITY
AN ISO 9001 COMPANY

JINDAL ALUMINIUM LTD.
BANGALORE-560073 (INDIA)

	NAME	DATE
DRAWN	PARVESH	19-03-2012
CHECKED		
APPROVED	S.S.GARG	22-03-2012
SCALE		2:1
AREA mm ²		337.864
PERIMETER mm.		350.202
WEIGHT kg/m		0.912
DRAWING No.	SECTION No.	
P-11601	-	
S3229	S3229	
35053	35053	

1. ALL DIMENSIONS ARE IN mm.
2. ROUND OFF ALL SHARP CORNERS WITH 0.40 mm.
3. TOLERANCES WILL BE AS PER IS:6477-1983, UNLESS OTHERWISE SPECIFIED

PARTY'S NAME	TALCHERKARS PVT. LTD., BANGALORE
PARTY'S DRAWING No.	MODIFIED OF 20368
ALLOY & TEMPER	6063 T6
DESCRIPTION	DISPLAY SECTION