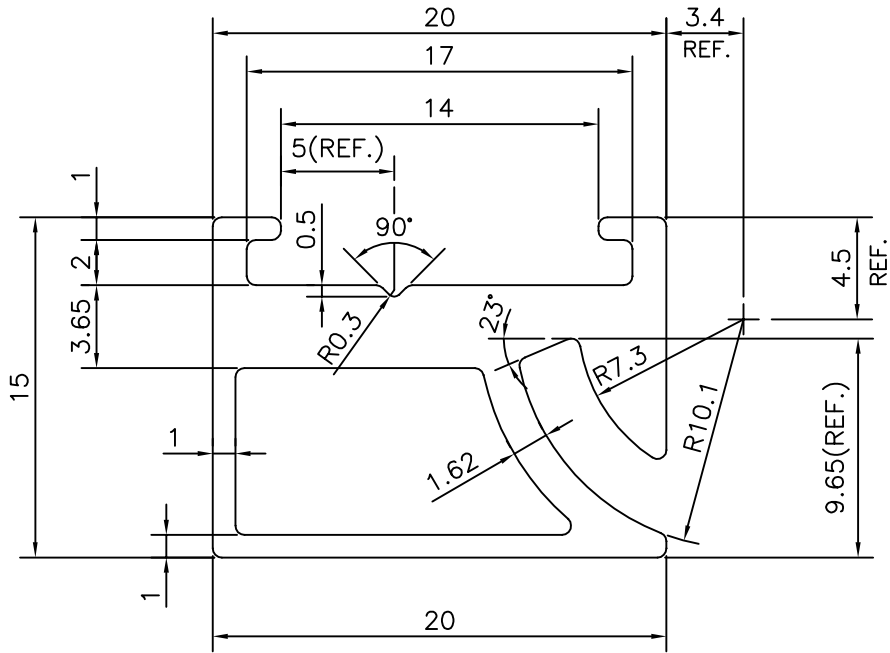
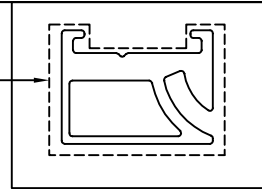



P-11482
S3160
35081

EXPOSED SURFACE



 SYMBOL OF QUALITY AN ISO 9001 COMPANY	<b>JINDAL ALUMINIUM LTD.</b> BANGALORE-560073 (INDIA)	NAME		DATE	
		DRAWN	J.P.KAUSHIK	20-01-2012	
1. ALL DIMENSIONS ARE IN mm. 2. ROUND OFF ALL SHARP CORNERS WITH 0.40 mm. 3. TOLERANCES WILL BE AS PER IS:6477-1983 UNLESS OTHERWISE SPECIFIED		CHECKED			
		APPROVED	S.S.GARG	25-01-2012	
PARTY'S NAME		DISHA RETAIL FIXTURES PVT. LTD., BANGALORE		SCALE	3:1
		PARTY'S DRAWING No.		HA 00 00 306	AREA mm <sup>2</sup>
ALLOY & TEMPER		HE9 WP		PERIMETER mm.	96.923
		DESCRIPTION		MISC. SECTION	WEIGHT kg/m
		DRAWING No.		SECTION No.	
		P-11482		-	
		S3160		S3160	
		35081		35081	