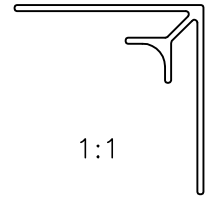
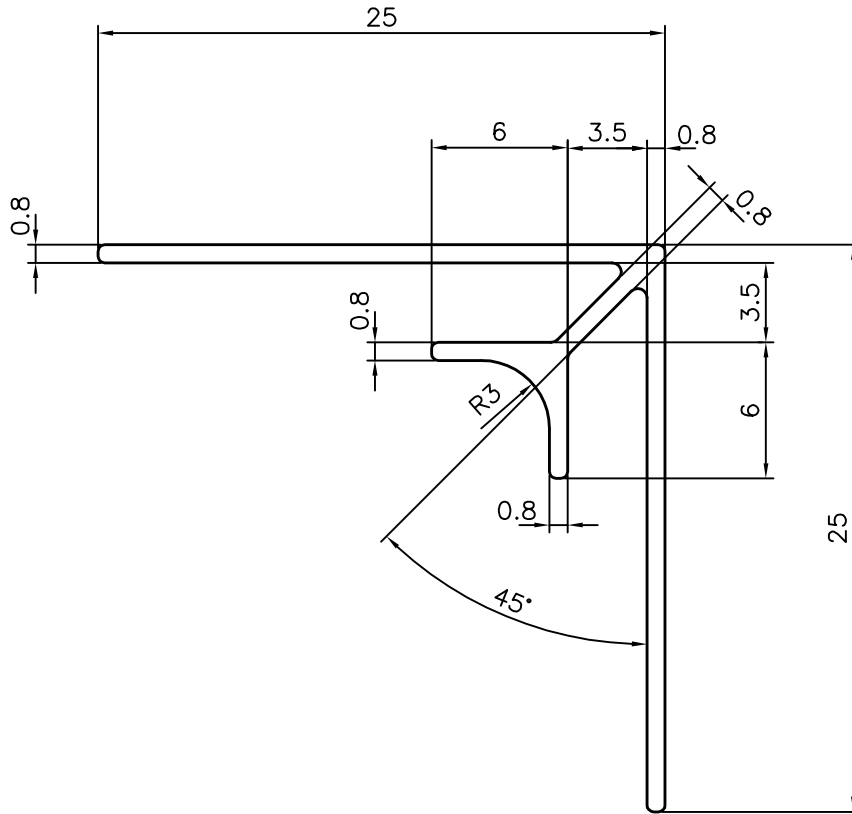


P-14093

35082



1:1



SYMBOL OF QUALITY
AN ISO 9001 COMPANY

JINDAL ALUMINIUM LTD.
BANGALORE-560073 (INDIA)

	NAME	DATE
DRAWN	J.P.KAUSHIK	12-11-2014
CHECKED		
APPROVED	S.S.GARG	22-11-2014
SCALE		3:1
AREA mm ²		54.44
PERIMETER mm.		127.178
WEIGHT kg/m		0.147
DRAWING No.	SECTION No.	
P-14093	-	
35082	35082	

1. ALL DIMENSIONS ARE IN mm.
2. ROUND OFF ALL SHARP CORNERS WITH 0.30 mm.
3. TOLERANCES WILL BE AS PER IS:3965-1981, UNLESS OTHERWISE SPECIFIED

PARTY'S NAME	GENERAL CATEGORY DELHI MARKET
PARTY'S DRAWING No.	AS PER DRAWING & REQUIREMENT
ALLOY & TEMPER	HE9 WP
DESCRIPTION	MISC. SECTION