

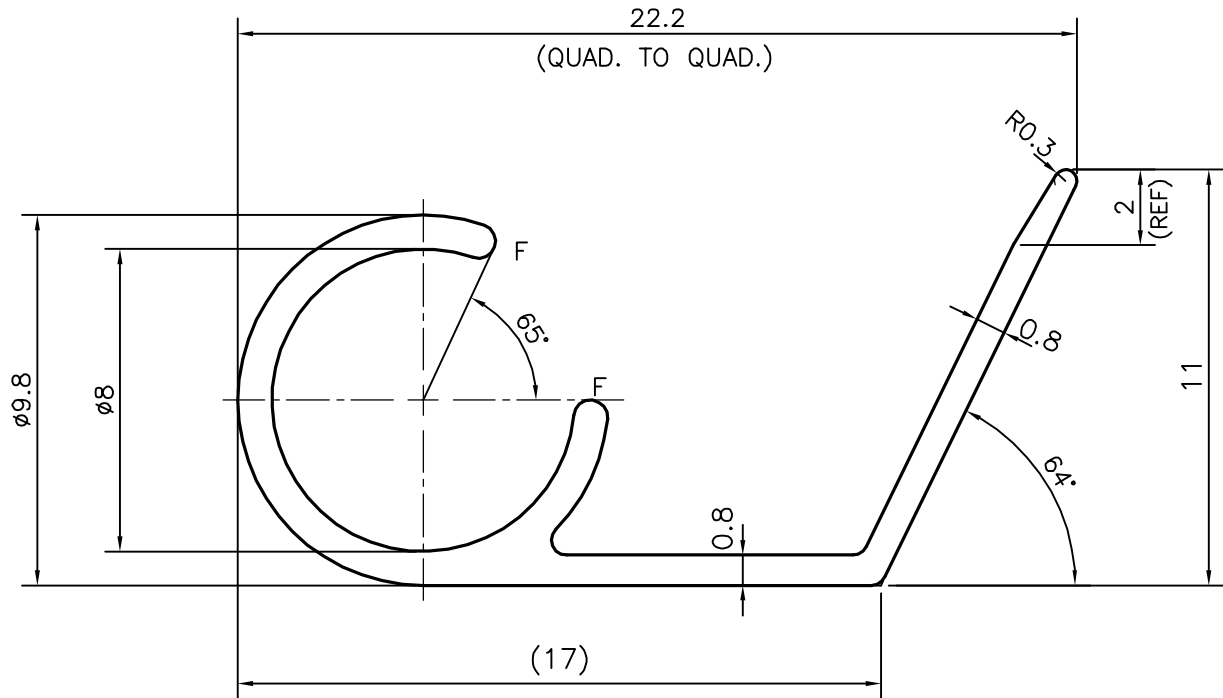
P-12868

S3800

35091



SCALE 1:1



F = FULL RADIUS (2 PLACES)

## TOLERANCES ON OVERALL WIDTHS &amp; WIDTHS ACROSS FLATS OF BARS, &amp; REGULAR SECTIONS

UPTO 6.40mm - ±0.20	UPTO 32.0mm - ±0.38	UPTO 120.0mm - ±0.85	UPTO 320.00mm - ±1.70
UPTO 10.0mm - ±0.23	UPTO 50.0mm - ±0.46	UPTO 160.0mm - ±1.02	
UPTO 12.0mm - ±0.25	UPTO 60.0mm - ±0.53	UPTO 200.0mm - ±1.14	
UPTO 16.0mm - ±0.28	UPTO 80.0mm - ±0.69	UPTO 250.0mm - ±1.40	
UPTO 25.0mm - ±0.30	UPTO 100.0mm - ±0.75	UPTO 300.0mm - ±1.65	



SYMBOL OF QUALITY  
AN ISO 9001 COMPANY

**JINDAL ALUMINIUM LTD.**  
BANGALORE-560073 (INDIA)

	NAME	DATE
DRAWN	SRIVATHSA	26-06-2013
CHECKED		
APPROVED	S.S.GARG	06-07-2013

- ALL DIMENSIONS ARE IN mm.
- ROUND OFF ALL SHARP CORNERS WITH 0.40 mm.
- TOLERANCES WILL BE AS PER IS:3965-1981, UNLESS OTHERWISE SPECIFIED

SCALE	5:1
AREA mm <sup>2</sup>	37.844
PERIMETER mm.	87.673
WEIGHT kg/m	0.102

PARTY'S NAME	GALA COPY CENTER, MUMBAI
--------------	--------------------------

PARTY'S DRAWING No.	AS PER SAMPLE
---------------------	---------------

ALLOY & TEMPER	HE9 WP
----------------	--------

DESCRIPTION	MISC. SECTION
-------------	---------------

DRAWING No.	SECTION No.
P-12868	-
S3800	S3800
35091	35091