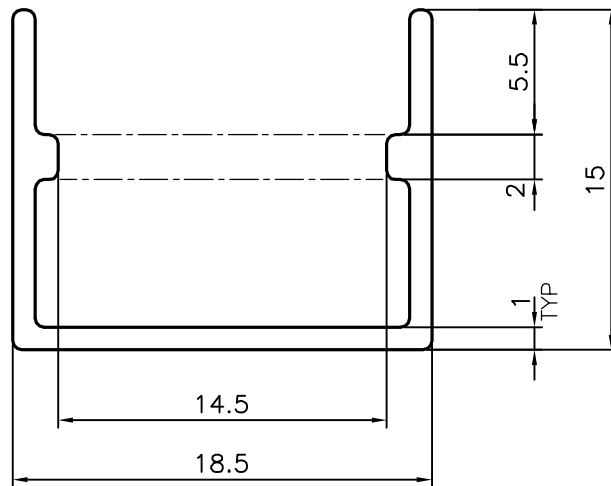


P-13988-1

S4250

35097

1:1



SYMBOL OF QUALITY  
AN ISO 9001 COMPANY

**JINDAL ALUMINIUM LTD.**  
BANGALORE-560073 (INDIA)

	NAME	DATE
DRAWN	J.P.KAUSHIK	15-09-2014
CHECKED		
APPROVED	S.S.GARG	18-09-2014
SCALE		3:1
AREA mm <sup>2</sup>		50.363
PERIMETER mm.		96.253
WEIGHT kg/m		0.136
DRAWING No.	SECTION No.	
P-13988-1	-	
S4250	S4250	
35097	35097	

1. ALL DIMENSIONS ARE IN mm.
2. ROUND OFF ALL SHARP CORNERS WITH 0.40 mm.
3. TOLERANCES WILL BE AS PER BS:EN-12020, UNLESS OTHERWISE SPECIFIED

PARTY'S NAME	VISHAL ARTS SIGN & GRAPHICS PVT. LTD., MUMBAI
PARTY'S DRAWING No.	AS PER DRAWING
ALLOY & TEMPER	HE9 WP
DESCRIPTION	MISC.CHANNEL