

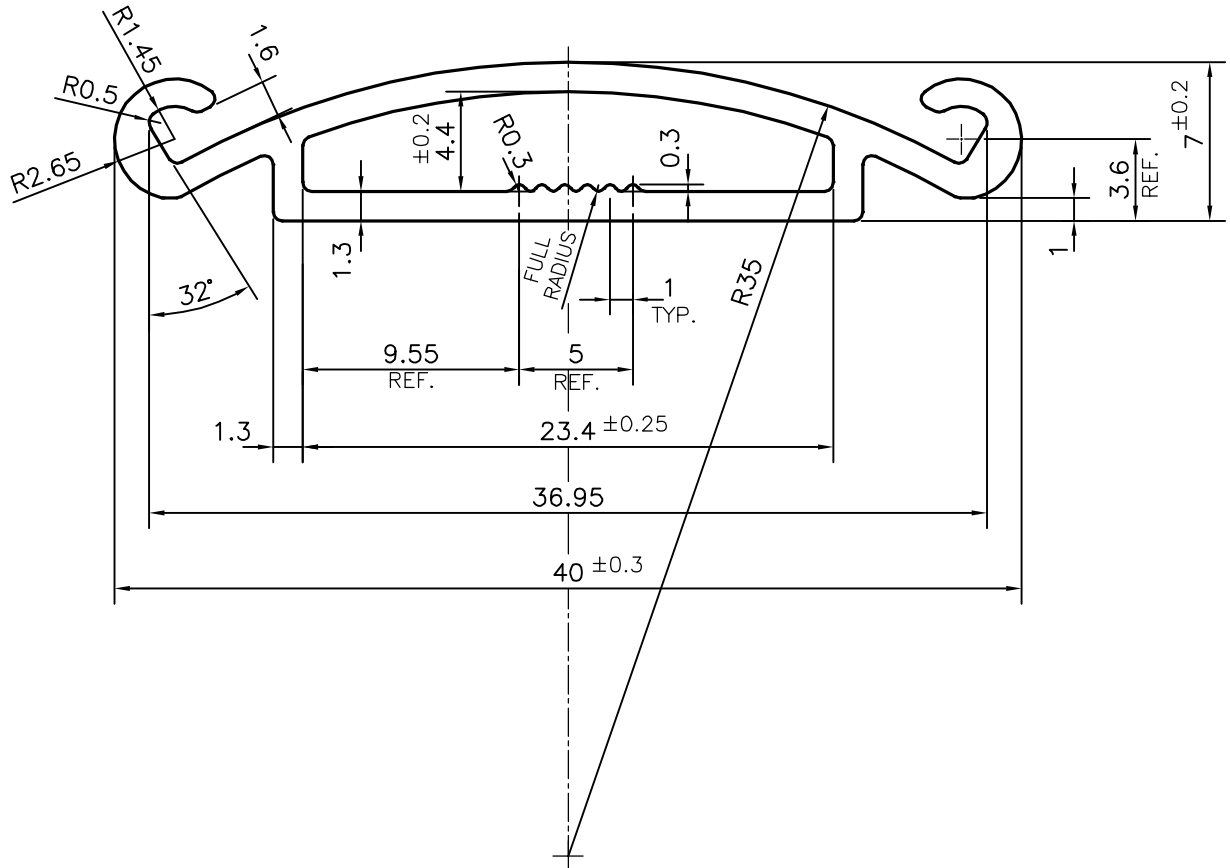
P-13003

X1690

35098



SCALE: - 1:1



SYMBOL OF QUALITY
AN ISO 9001 COMPANY

JINDAL ALUMINIUM LTD.
BANGALORE-560073 (INDIA)

	NAME	DATE
DRAWN	PARVESH	06-09-2013
CHECKED		
APPROVED	S.S.GARG	12-09-2013
SCALE		3:1
AREA mm ²		109.882
PERIMETER mm.		109.2
WEIGHT kg/m		0.297
DRAWING No.	SECTION No.	
P-13003	-	
X1690	X1690	
35098	35098	

1. ALL DIMENSIONS ARE IN mm.
2. ROUND OFF ALL SHARP CORNERS WITH 0.40 mm.
3. TOLERANCES WILL BE AS PER, BS:EN-12020-2 UNLESS OTHERWISE SPECIFIED

PARTY'S NAME	VISTA SYSTEM INDIA, BANGALORE
PARTY'S DRAWING No.	AS PER AUTOCAD DRAWING-V40 (SHAHAL No.-297007)
ALLOY & TEMPER	HE9 WP
DESCRIPTION	DISPLAY SECTION