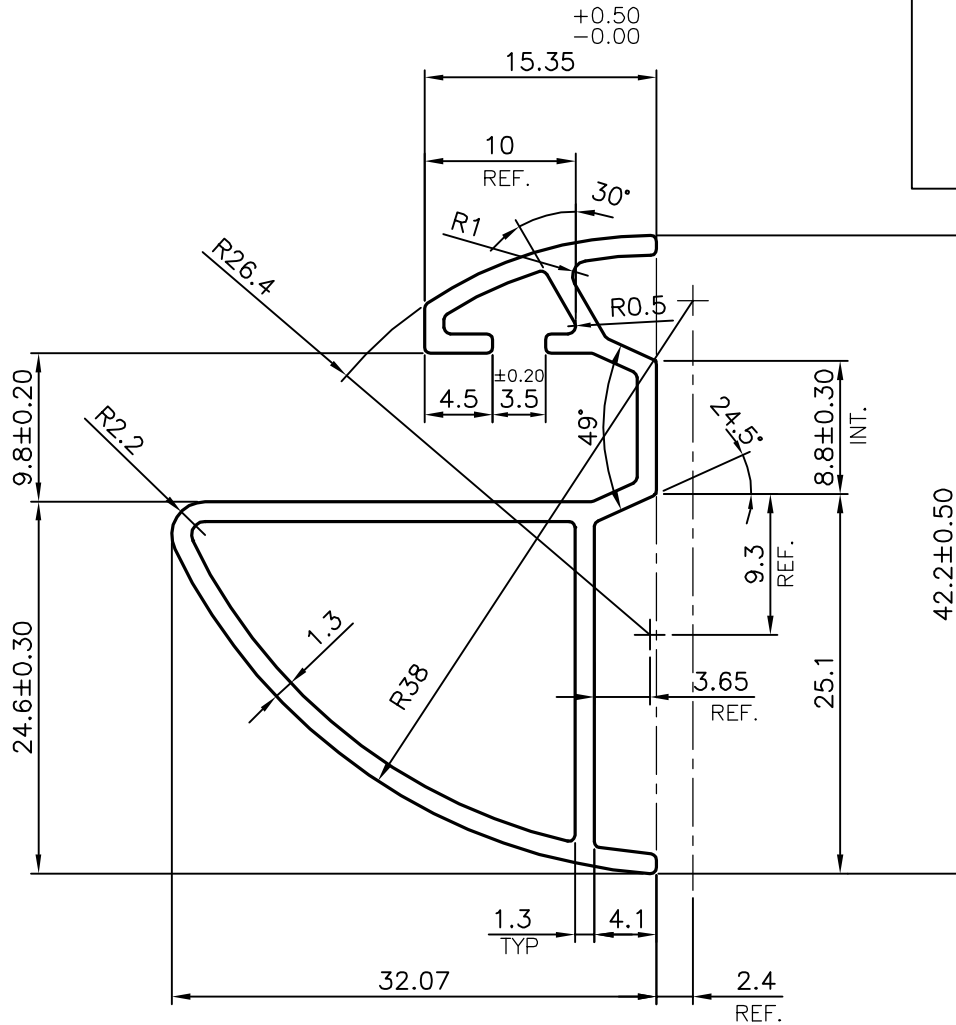
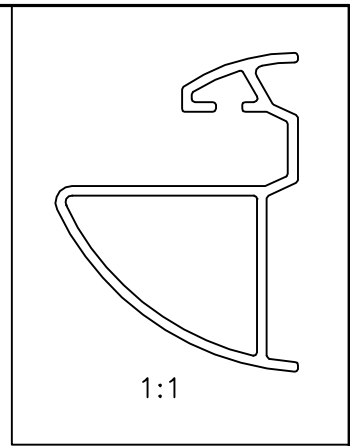



| |
|---------|
| P-17126 |
| S5407 |
| 35136 |



TOLERANCES ON OVERALL DIMENSIONS OF HOLLOW SECTIONS

| | | | |
|---------------------|----------------------|----------------------|---|
| UPTO 20.0mm - ±0.30 | UPTO 80.0mm - ±0.70 | UPTO 180.0mm - ±1.27 | 1. STRAIGHTNESS=1.7mm/M 2. TWIST=1.7mm/M 3. ANGULARITY= ±2° 4. FLATNESS =0.006xWIDTH |
| UPTO 30.0mm - ±0.38 | UPTO 100.0mm - ±0.80 | UPTO 200.0mm - ±1.40 | |
| UPTO 40.0mm - ±0.45 | UPTO 120.0mm - ±0.90 | UPTO 225.0mm - ±1.52 | |
| UPTO 50.0mm - ±0.52 | UPTO 140.0mm - ±1.00 | | |
| UPTO 60.0mm - ±0.60 | UPTO 160.0mm - ±1.14 | | |

| | | | | | |
|--|--|------------------------------|-------------------|---|------------|
|  SYMBOL OF QUALITY AN ISO 9001 COMPANY | JINDAL ALUMINIUM LTD. BANGALORE-560073 (INDIA) | DRAWN | J.P.KAUSHIK | DATE | 13-05-2017 |
| | | CHECKED | | | |
| | | APPROVED | B.NATARAJA | | 24-05-2017 |
| 1. ALL DIMENSIONS ARE IN mm. 2. ROUND OFF ALL SHARP CORNERS WITH 0.40 mm. 3. TOLERANCES WILL BE AS PER IS:6477-1983 UNLESS OTHERWISE SPECIFIED | | SCALE | | 2:1 | |
| | | AREA mm ² | | 176.453 | |
| | | PERIMETER mm. | | 185.576 | |
| | | WEIGHT kg/m | | 0.476 | |
| | | PARTY'S NAME | | JAYANITA EXPORTS PVT. LTD., GREATER NOIDA | |
| PARTY'S DRAWING No. | | AS PER DRAWING-152861 REV.06 | | P-17126 - | |
| ALLOY & TEMPER | | 6063 T6 | | S5407 S5407 | |
| | | | | 35136 35136 | |
| DESCRIPTION | | DISPLAY SECTION | | | |