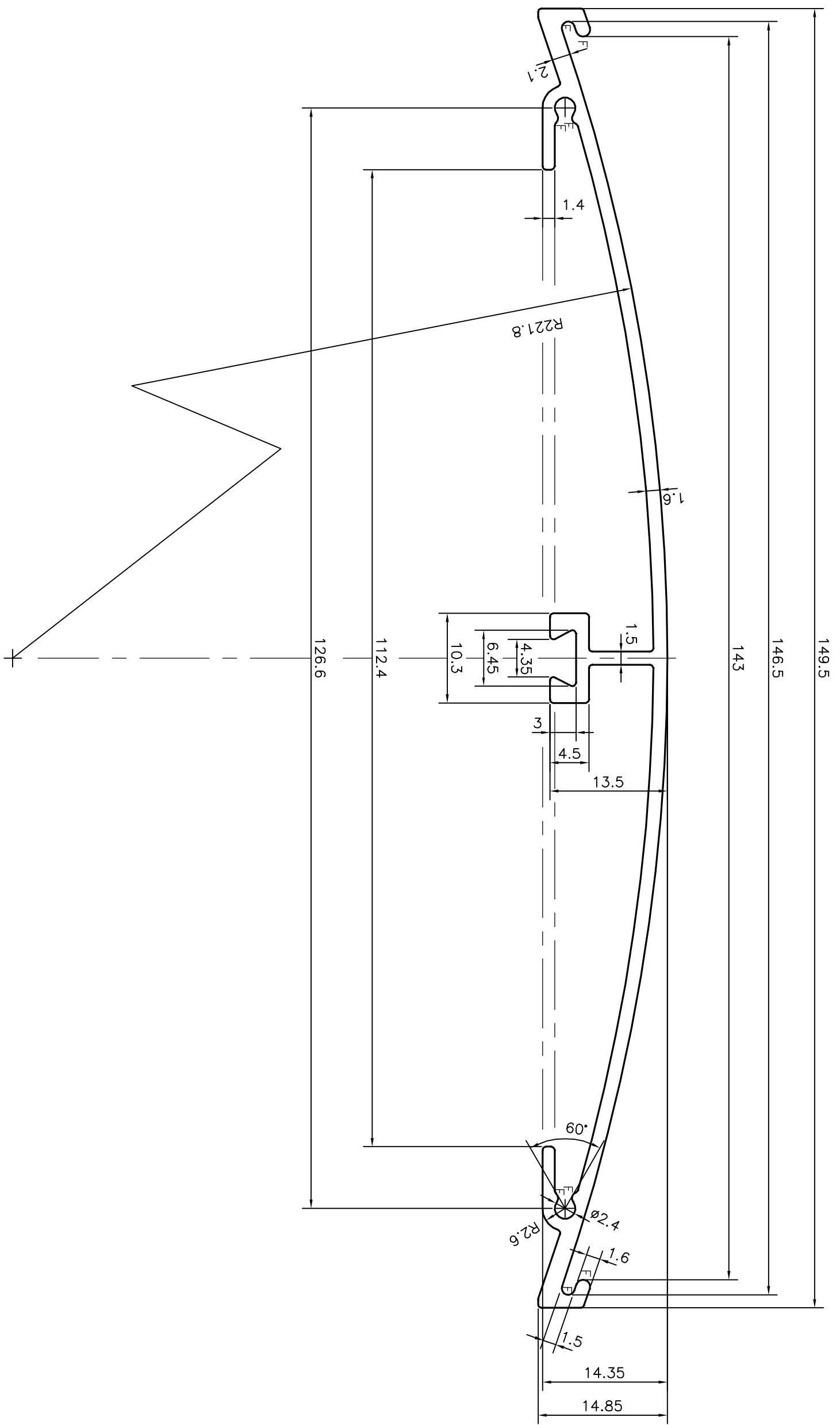
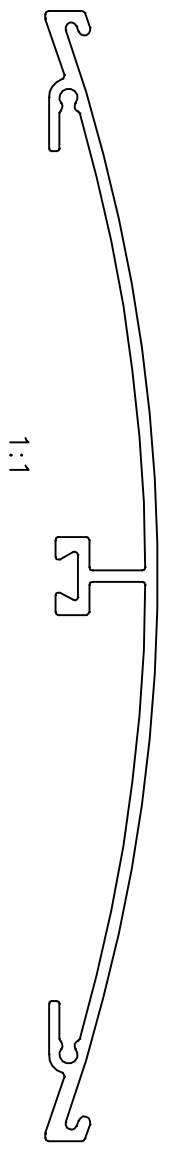


P-15564
S4841
35141



F = FULL RADIUS (8 PLACES)



<p>SYMBOL OF QUALITY AN ISO 9001 COMPANY</p>	<p>JINDAL ALUMINIUM LTD. BANGALORE-560073 (INDIA)</p>		DRAWN	J.P. KAUSHIK	DATE	02-02-2016
	<p>1. ALL DIMENSIONS ARE IN mm. 2. ROUND OFF ALL SHARP CORNERS WITH 0.40 mm. 3. TOLERANCES WILL BE AS PER IS:3965-1981 UNLESS OTHERWISE SPECIFIED</p>		CHECKED			
PARTY'S NAME	SAMEER ENTERPRISES, NEW DELHI		APPROVED	B. NATARAJ		05-02-2016
PARTY'S DRAWING No.	AS PER SAMPLE		SCALE	2:1		
ALLOY & TEMPER	6063 T6		AREA mm ²	339.558		
DESCRIPTION	DISPLAY SECTION		PERIMETER mm.	413.838		
			WEIGHT kg/m	0.917		
			DRAWING No.	SECTION No.		
			P-15564	-		
			S4841	S4841		
			35141	35141		