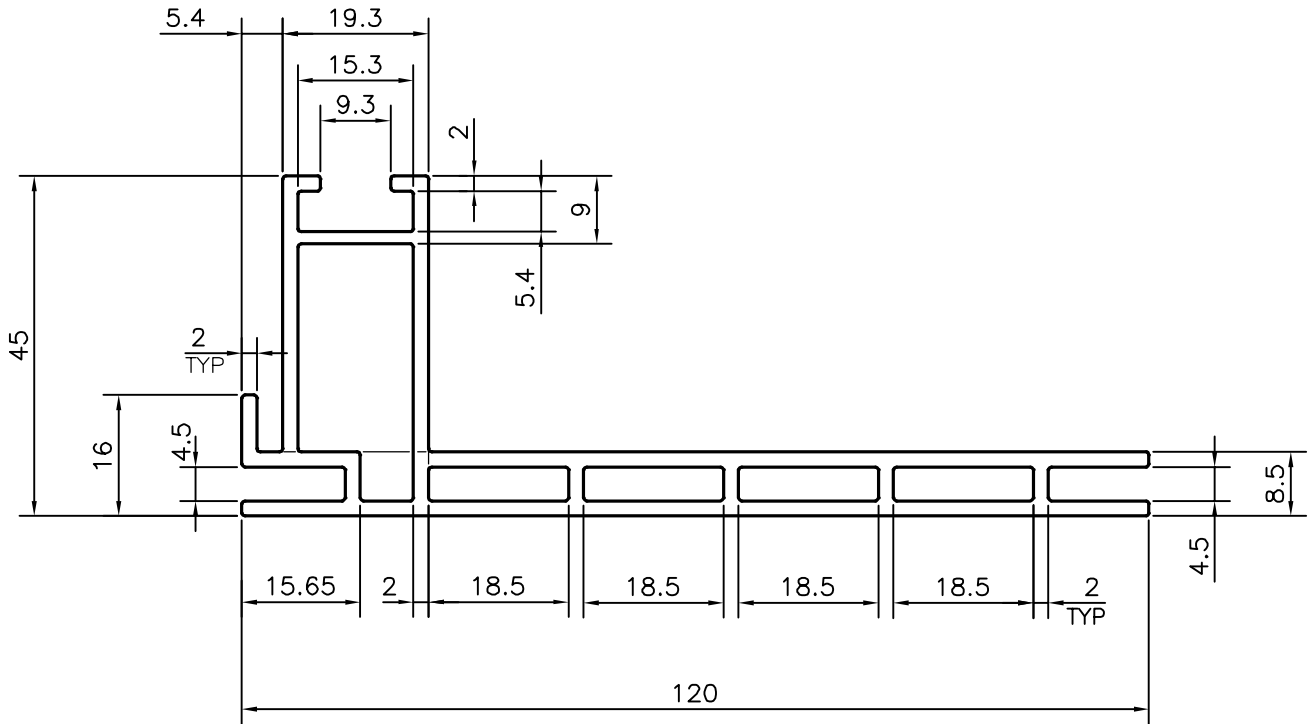



P-15568
S4874
35144



 SYMBOL OF QUALITY AN ISO 9001 COMPANY	<b>JINDAL ALUMINIUM LTD.</b> BANGALORE-560073 (INDIA)			NAME	DATE	
		DRAWN	J.P.KAUSHIK	03-02-2016		
1. ALL DIMENSIONS ARE IN mm. 2. ROUND OFF ALL SHARP CORNERS WITH 0.40 mm. 3. TOLERANCES WILL BE AS PER IS:6477-1983 UNLESS OTHERWISE SPECIFIED		CHECKED				
		APPROVED		S.S.GARG	07-03-2016	
PARTY'S NAME		MERMAID PRINT CONCEPTS PVT. LTD., BANGALORE		SCALE		1:1
		PARTY'S DRAWING No.		AS PER SAMPLE		AREA mm <sup>2</sup>
ALLOY & TEMPER		HE9 WP		PERIMETER mm.		421.236
		DESCRIPTION		DISPLAY SECTION		WEIGHT kg/m
				DRAWING No.		SECTION No.
				P-15568		-
				S4874		S4874
				35144		35144