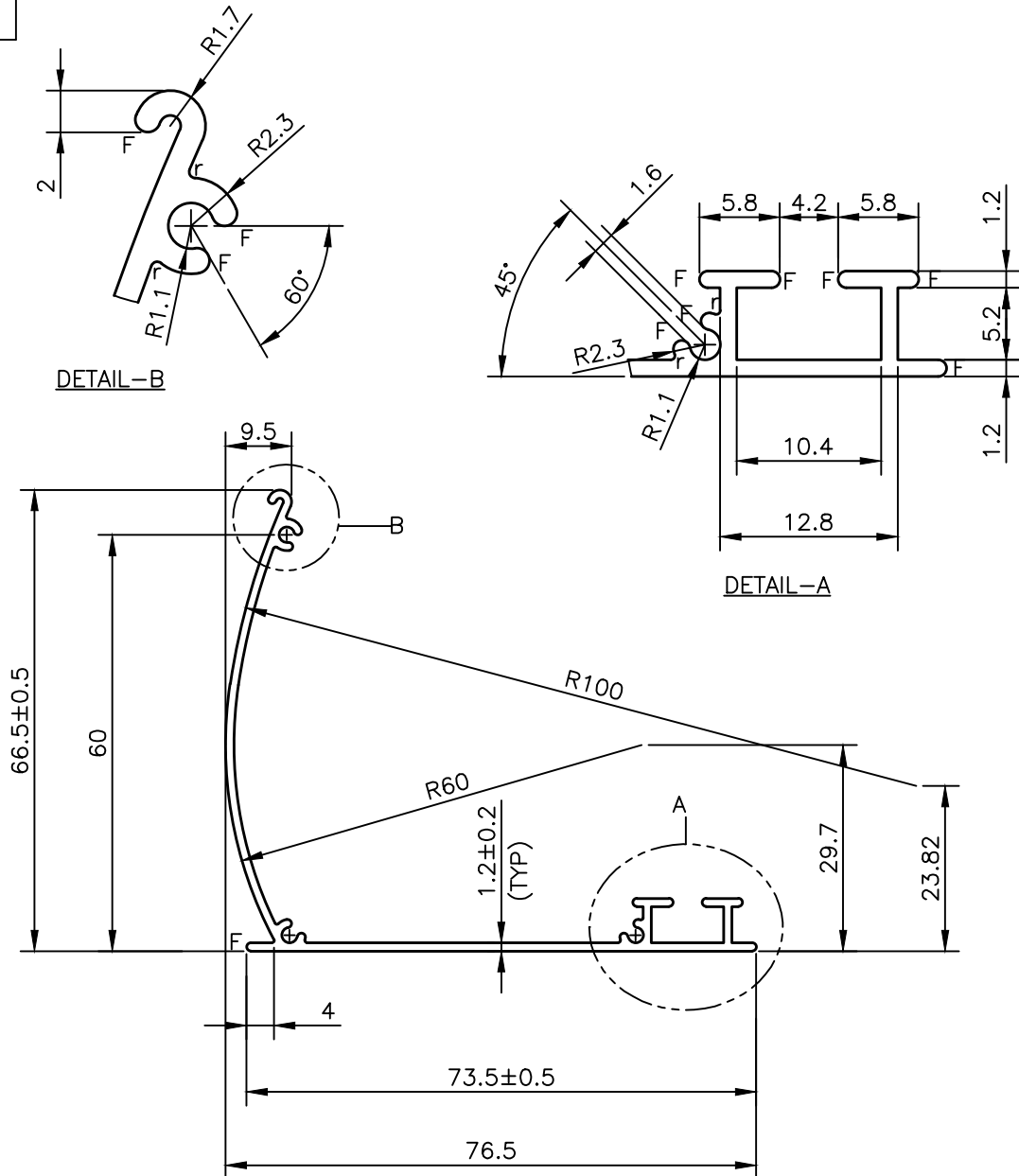


IAL-D-5654

35184



NOTE:-

$r = 0.3R$
 F = FULL RADIUS



SYMBOL OF QUALITY
 AN ISO 9001 COMPANY

JINDAL ALUMINIUM LTD.
 BANGALORE-560073 (INDIA)

NAME

DATE

DRAWN S.K.SHARMA 07-02-2022

CHECKED

APPROVED

1. ALL DIMENSIONS ARE IN mm.
2. ROUND OFF ALL SHARP CORNERS WITH 0.40 mm.
3. TOLERANCES WILL BE AS PER BS:EN-755-9 , UNLESS OTHERWISE SPECIFIED

SCALE

1:1&4:1

AREA mm²

212.47

PERIMETER mm.

346.48

WEIGHT kg/m

0.574

PARTY'S NAME

M/S. JOHNSON

DRAWING No.

SECTION No.

PARTY'S DRAWING No.

AS PER DRAWING

IAL-D-5654

-

ALLOY & TEMPER

6063-T6

35184

35184

DESCRIPTION

DISPLAY SECTION