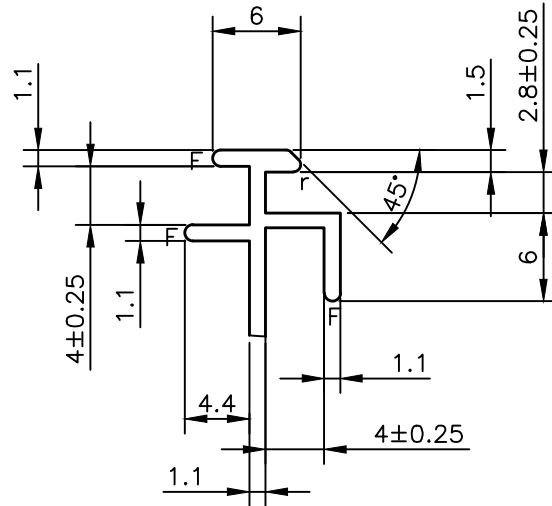
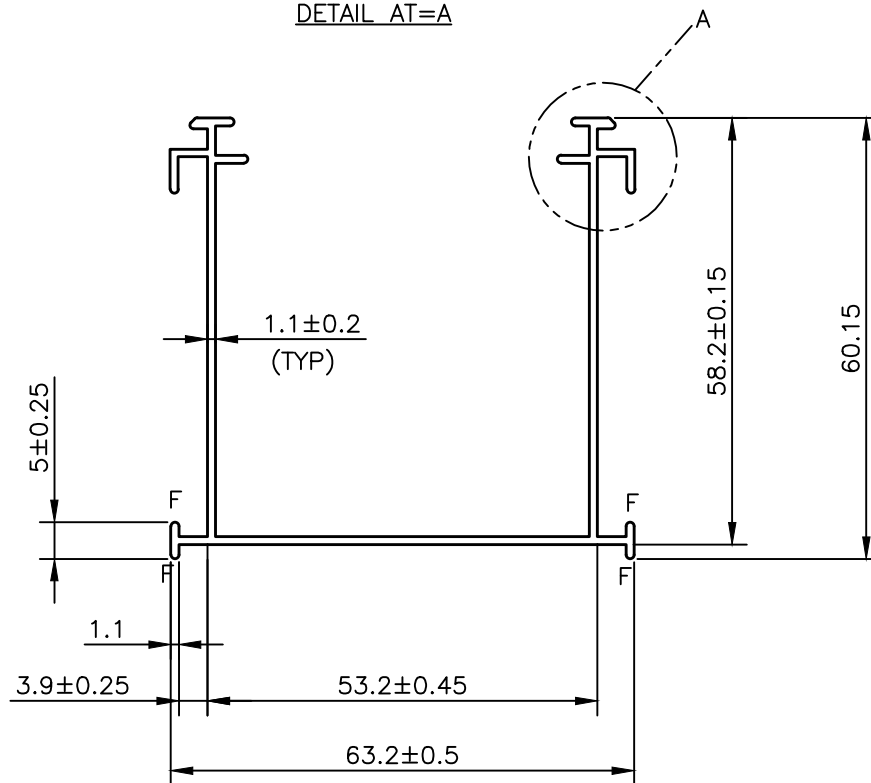


IAL-D-5715

35185



DETAIL AT=A



NOTE:-

 $r = 0.3R$

F = FULL RADIUS



SYMBOL OF QUALITY
AN ISO 9001 COMPANY

JINDAL ALUMINIUM LTD.
BANGALORE-560073 (INDIA)

	NAME	DATE
DRAWN	S.K.SHARMA	07-02-2022
CHECKED		
APPROVED		

1. ALL DIMENSIONS ARE IN mm.
2. ROUND OFF ALL SHARP CORNERS WITH 0.40 mm.
3. TOLERANCES WILL BE AS PER BS:EN-755-9 , UNLESS OTHERWISE SPECIFIED

SCALE	1:1&4:1
AREA mm ²	245.25
PERIMETER mm.	444.03
WEIGHT kg/m	0.662

DRAWING No.	SECTION No.
IAL-D-5715	-
35185	35185