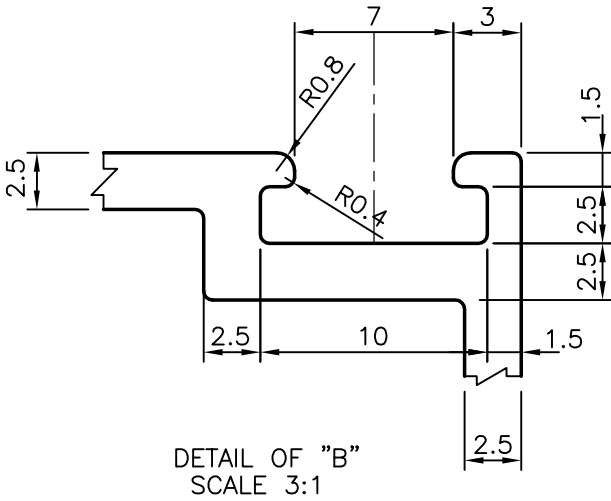
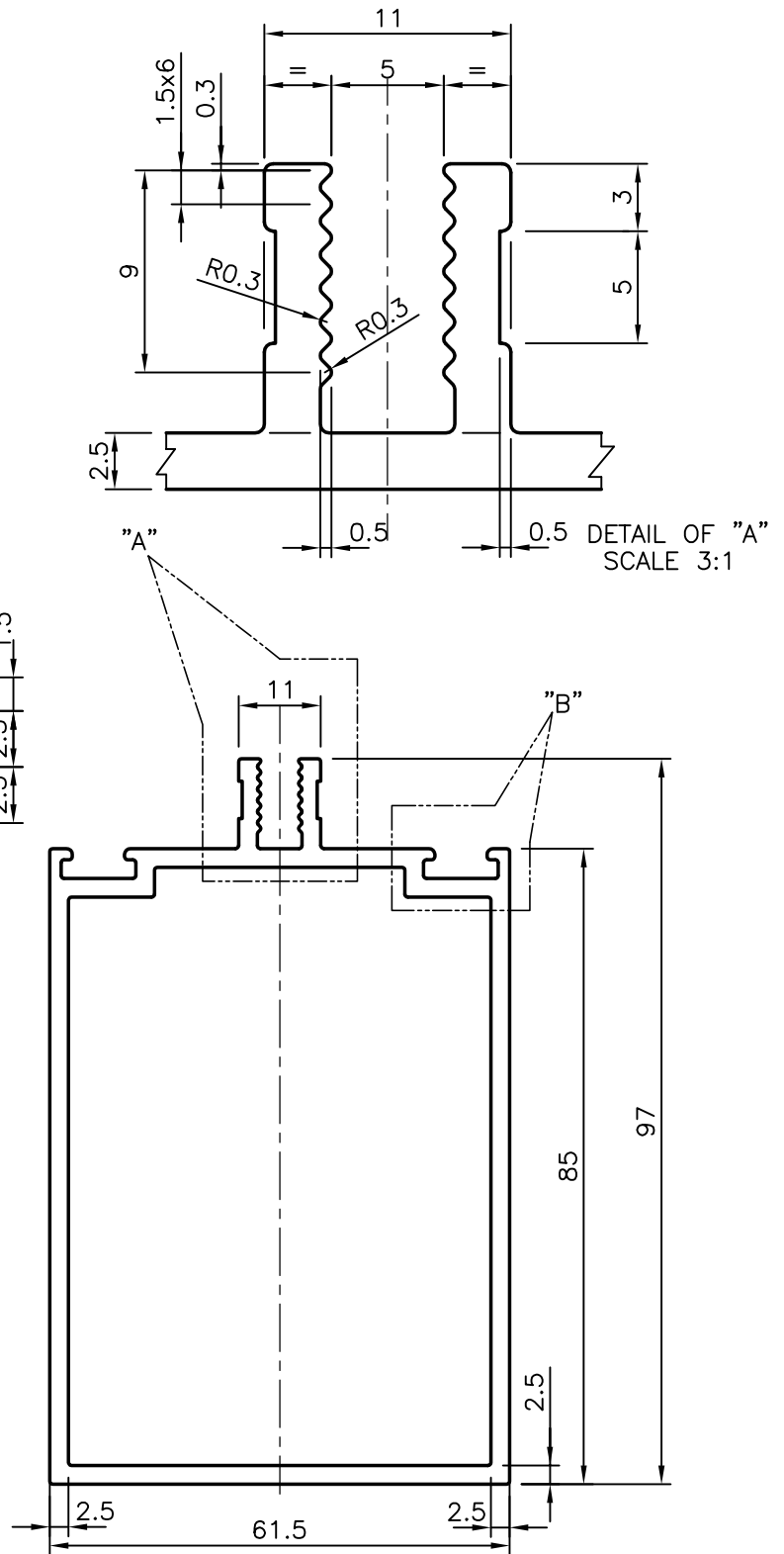



P-8925

35506



DETAIL OF "A" SCALE 3:1

DETAIL OF "B" SCALE 3:1

 SYMBOL OF QUALITY AN ISO 9001 COMPANY	JINDAL ALUMINIUM LTD. BANGALORE-560073 (INDIA)	NAME	DATE
		DRAWN	J.P.KAUSHIK 15-12-2008
		CHECKED	
		APPROVED	
1. ALL DIMENSIONS ARE IN mm. 2. ROUND OFF ALL SHARP CORNERS WITH 0.40 mm. 3. TOLERANCES WILL BE AS PER IS:6477-1983 UNLESS OTHERWISE SPECIFIED		SCALE	1:1
		AREA mm ²	788.293
		PERIMETER mm.	371.294
		WEIGHT kg/m	2.128
		DRAWING No.	SECTION No.
PARTY'S NAME	GENERAL CATEGORY, COCHIN MARKET	P-8925	-
PARTY'S DRAWING No.	AS PER DRAWING	35506	35506
ALLOY & TEMPER	HE9 WP		
DESCRIPTION	CURTAIN WALL SECTION		