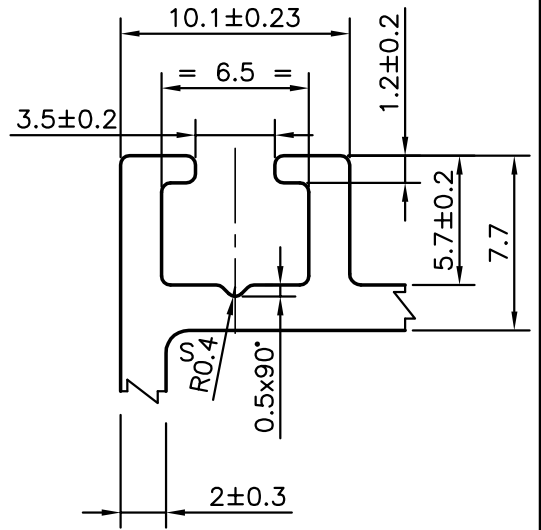
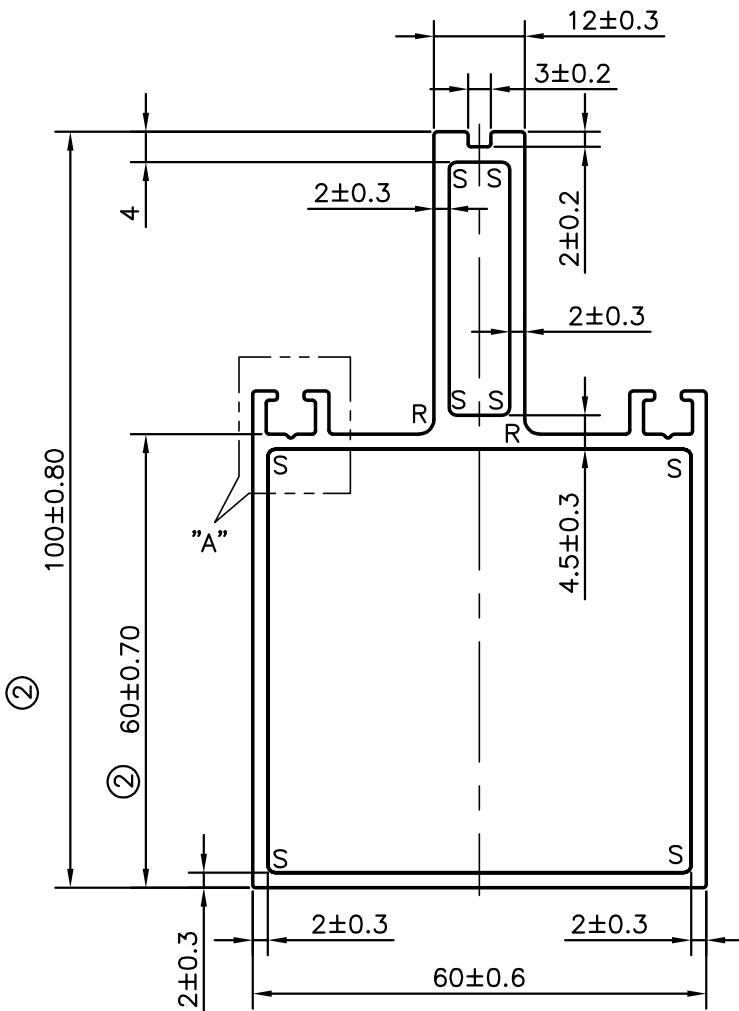


P-8974

35516

DETAIL OF "A"
SCALE 3:1



ISSUE - 2

DIMENSIONS CHNGED FROM

90.0 mm TO 100.0 mm & 50.30 mm TO 60.0 mm

& WEIGHT ALSO CHANGED FROM 1.839 kg/m TO 1.946 kg/m

R = R2.00 mm (2 PLACES)

S = R1.00 mm (8 PLACES)



SYMBOL OF QUALITY
AN ISO 9001 COMPANY

JINDAL ALUMINIUM LTD.
BANGALORE-560073 (INDIA)

	NAME	DATE
DRAWN	J.P.KAUSHIK	05-02-2009
CHECKED		
APPROVED		

- ALL DIMENSIONS ARE IN mm.
- ROUND OFF ALL SHARP CORNERS WITH 0.40 mm.
- TOLERANCES WILL BE AS PER IS:6477-1983 UNLESS OTHERWISE SPECIFIED

SCALE	1:1
AREA mm ²	720.675
PERIMETER mm.	375.338
WEIGHT kg/m	1.946 (2)

PARTY'S NAME: LIKPROOF INDIA PVT. LTD., MUMBAI

PARTY'S DRAWING No.: AS PER DRAWING

ALLOY & TEMPER: HE9 WP

DESCRIPTION: CURTAIN WALL SECTION

DRAWING No.	SECTION No.
P-8974	-
35516	35516-ISSUE-2