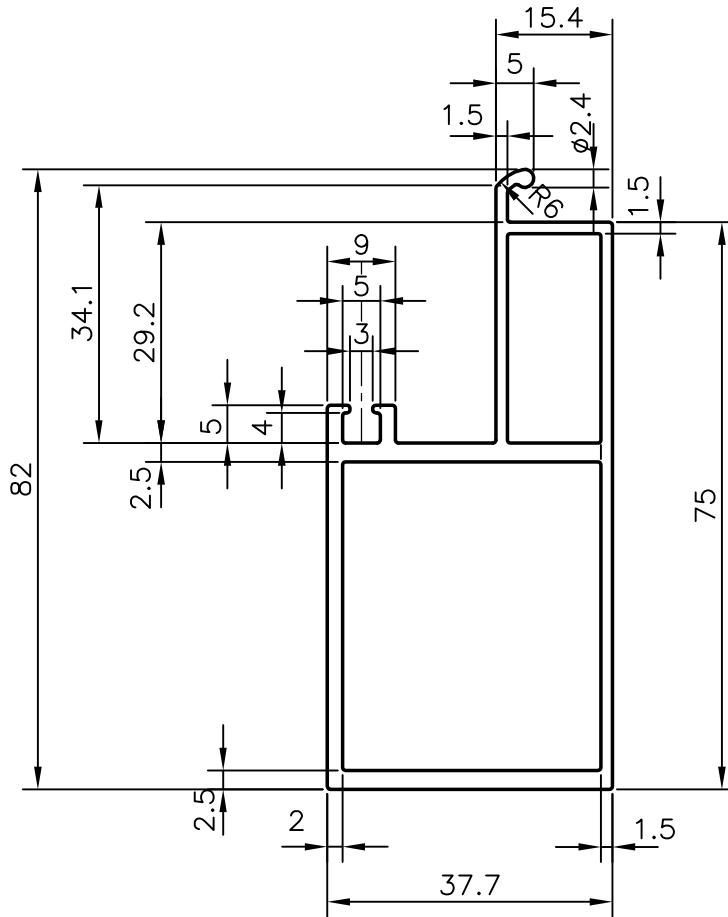


P-9080

35528



SYMBOL OF QUALITY
AN ISO 9001 COMPANY

JINDAL ALUMINIUM LTD.
BANGALORE-560073 (INDIA)

	NAME	DATE
DRAWN	J.P.KAUSHIK	21-02-2009
CHECKED		
APPROVED		

1. ALL DIMENSIONS ARE IN mm.
2. ROUND OFF ALL SHARP CORNERS WITH 0.40 mm.
3. TOLERANCES WILL BE AS PER IS:6477-1983 UNLESS OTHERWISE SPECIFIED

SCALE	1:1
AREA mm ²	474.608
PERIMETER mm.	264.967
WEIGHT kg/m	1.281

PARTY'S NAME	GENERAL CATEGORY, DELHI MARKET	DRAWING No.	P-9080	SECTION No.	-
PARTY'S DRAWING No.	AFPL ST. 04		35528		35528
ALLOY & TEMPER	HE9 WP				
DESCRIPTION	CURTAIN WALL SECTION				