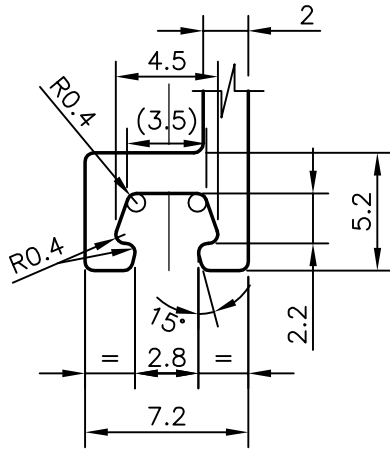


P-10226

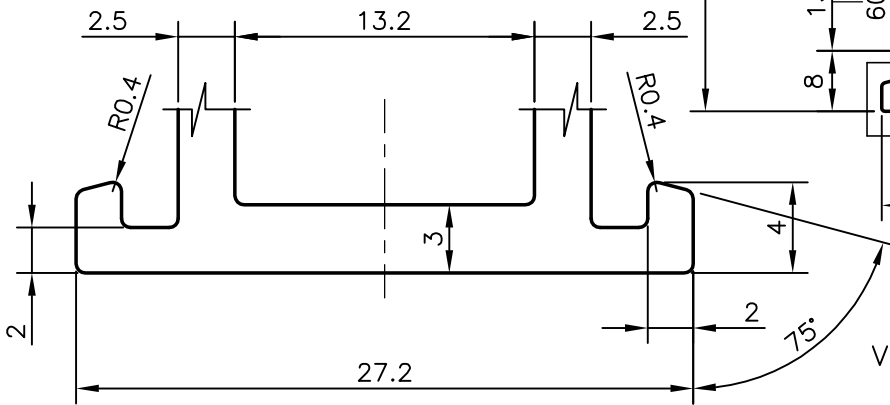
S2633

35575

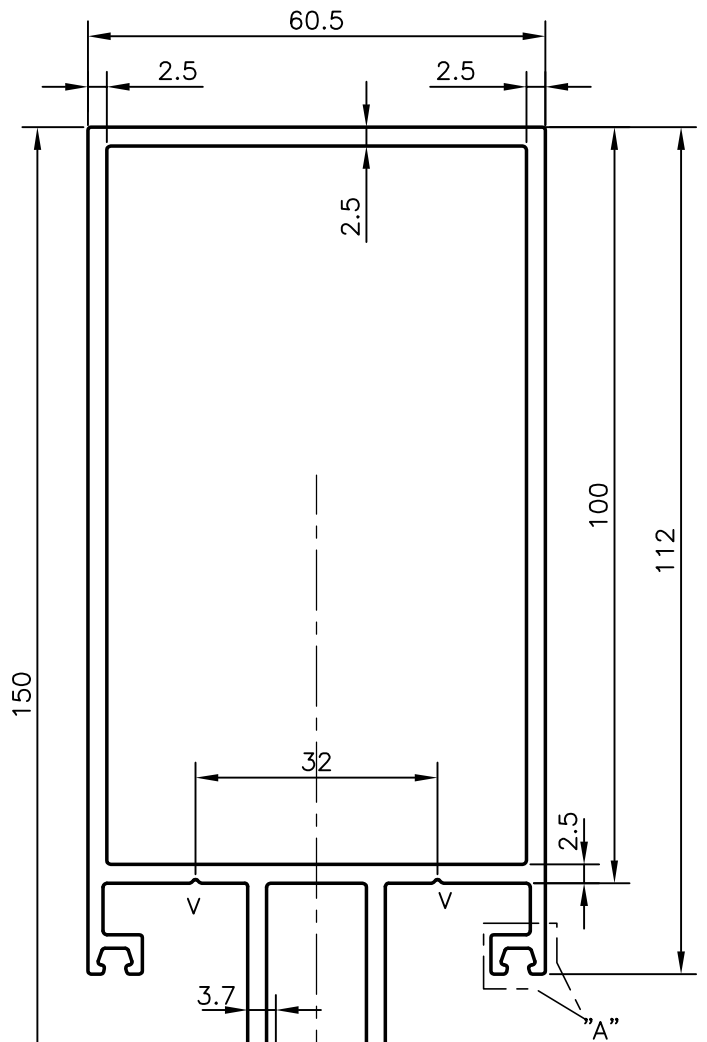
DETAIL OF "A"
SCALE 3:1



DETAIL OF "B"
SCALE 3:1



V = VEEGROOVE 0.5x90° (4)



JINDAL ALUMINIUM LTD.
BANGALORE-560073 (INDIA)

	NAME	DATE
DRAWN	J.P.KAUSHIK	24-07-2010
CHECKED		
APPROVED	S.S.GARG	05-08-2010

SCALE	1:1
AREA mm ²	1198.499
PERIMETER mm.	528.107
WEIGHT kg/m	3.236

DRAWING No.	SECTION No.
P-10226	-
S2633	S2633
35575	35575

1. ALL DIMENSIONS ARE IN mm.
2. ROUND OFF ALL SHARP CORNERS WITH 0.40 mm.
3. TOLERANCES WILL BE AS PER BS:EN-12020-2 UNLESS OTHERWISE SPECIFIED

PARTY'S NAME	AHLCONS INDIA PVT. LTD., NEW DELHI
PARTY'S DRAWING No.	BH-4840
ALLOY & TEMPER	6063 T6
DESCRIPTION	CURTAIN WALL-TRANSOM SECTION