

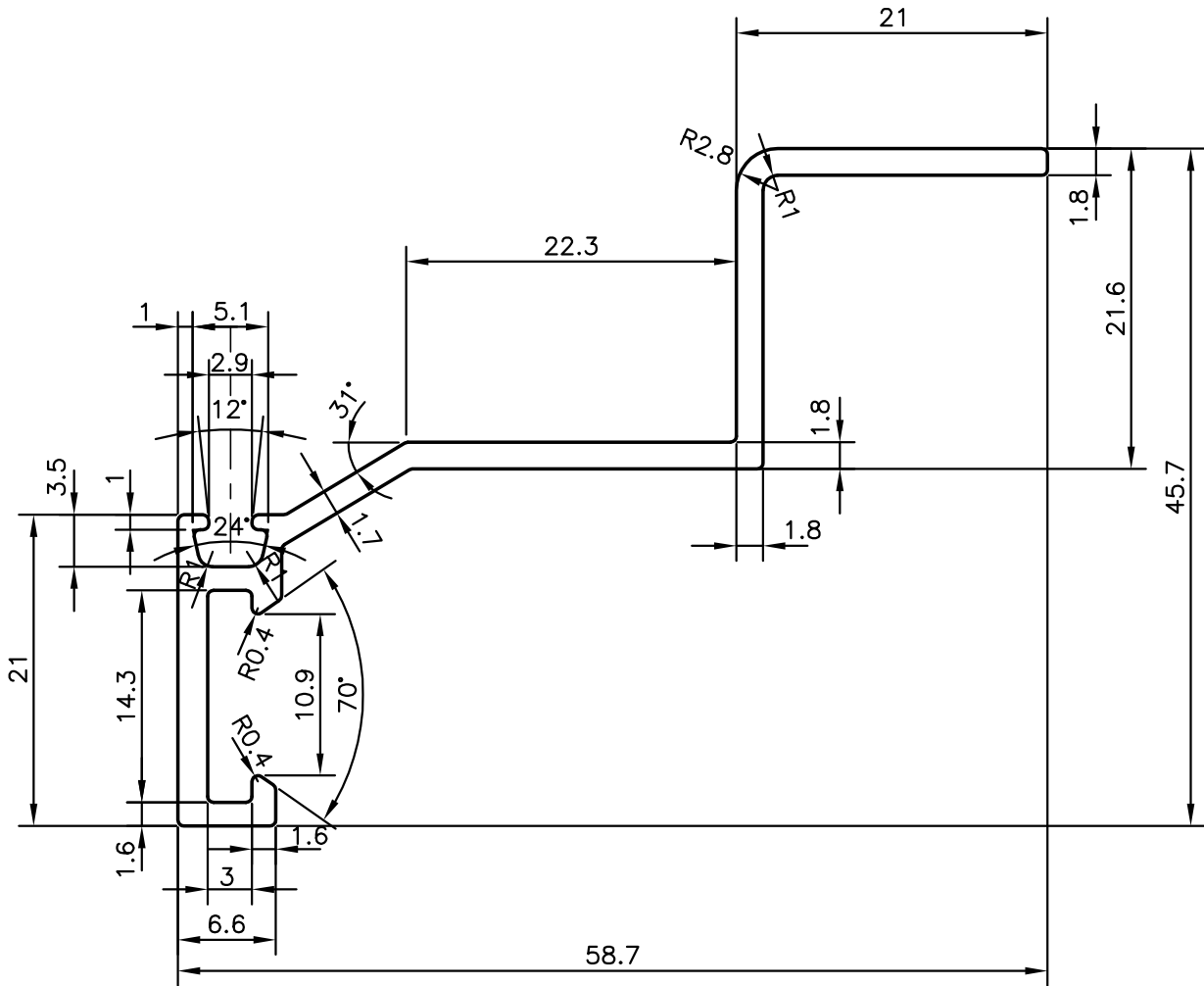
P-9552

S2342

35622

EXPOSED SURFACE

1:1



SYMBOL OF QUALITY
AN ISO 9001 COMPANY

JINDAL ALUMINIUM LTD.
BANGALORE-560073 (INDIA)

	NAME	DATE
DRAWN	J.P.KAUSHIK	25-10-2009
CHECKED		
APPROVED		

1. ALL DIMENSIONS ARE IN mm.
2. ROUND OFF ALL SHARP CORNERS WITH 0.40 mm.
3. TOLERANCES WILL BE AS PER IS:3965-1981 UNLESS OTHERWISE SPECIFIED

SCALE	2:1
AREA mm ²	194.371
PERIMETER mm.	220.911
WEIGHT kg/m	0.525

PARTY'S NAME SP FABRICATORS PVT. LTD., NAVI MUMBAI

DRAWING No. SECTION No.

PARTY'S DRAWING No. AL-627

P-9552

-

ALLOY & TEMPER 6063 T6

S2342

S2342

35622

35622

DESCRIPTION VENT SHUTTER ADAPTER