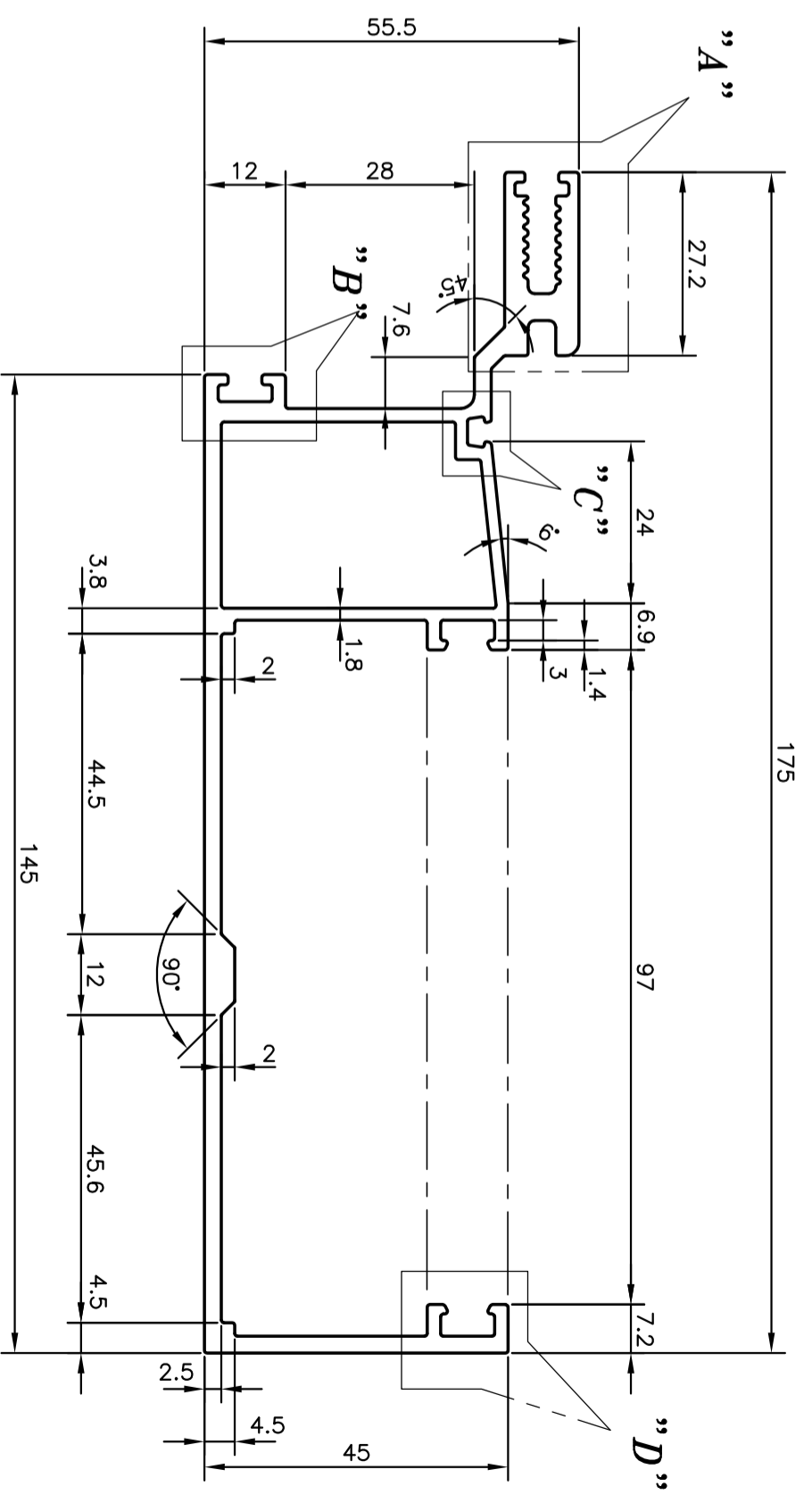
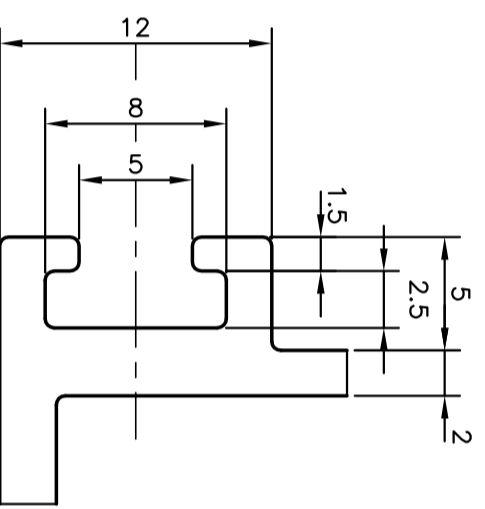
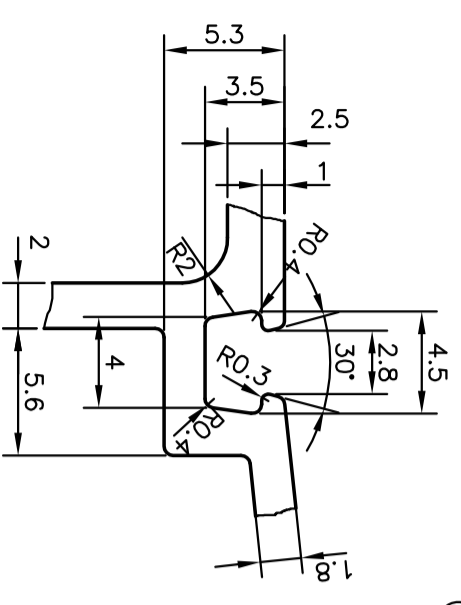
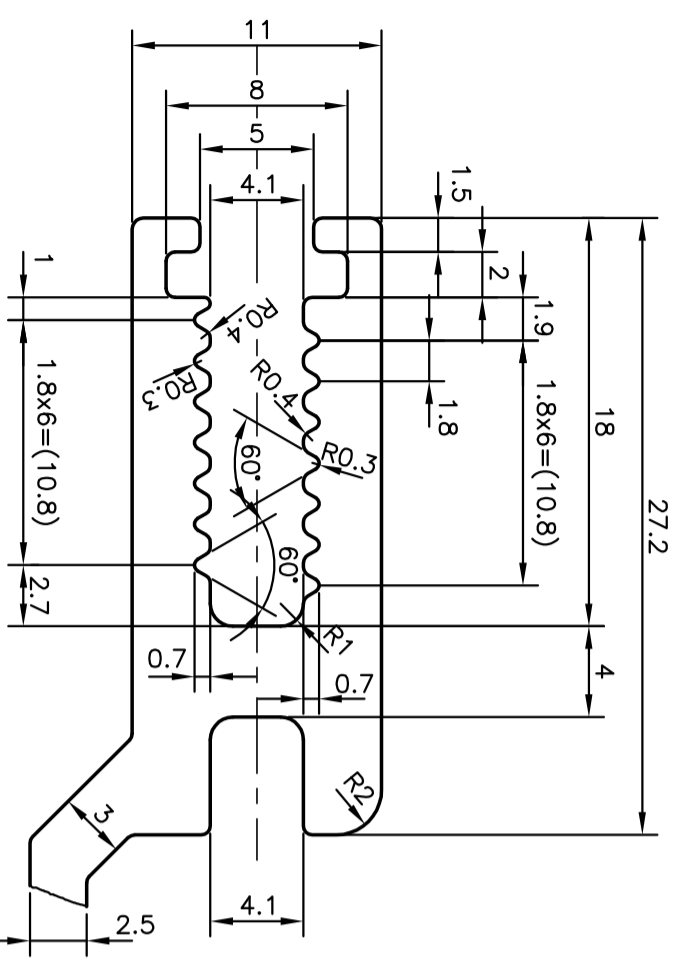
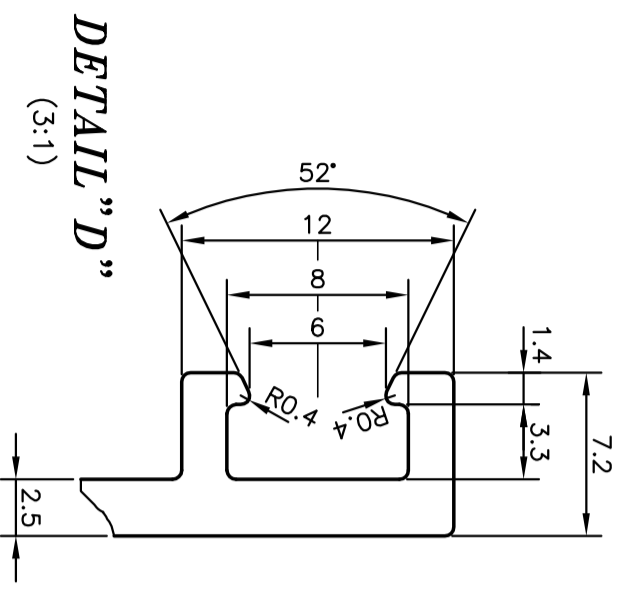



P-9731
S2449
35651



DETAIL "C"
(3:1)

DETAIL "A"
(3:1)

DETAIL "B"
(3:1)

 SYMBOL OF QUALITY AN ISO 9001 COMPANY	JINDAL ALUMINIUM LTD. BANGALORE-560073 (INDIA)		DRAWN J.P. KAUSHIK 09-01-2010
	1. ALL DIMENSIONS ARE IN mm. 2. ROUND OFF ALL SHARP CORNERS WITH 0.40 mm. 3. TOLERANCES WILL BE AS PER IS:6477-1983 UNLESS OTHERWISE SPECIFIED		CHECKED S.S.GARG 17-02-2010
PARTY'S NAME	SP FABRICATORS PVT. LTD., MUMBAI		SCALE
PARTY'S DRAWING No.	AL-590		AREA mm ²
ALLOY & TEMPER	6063 T6		PERIMETER mm.
DESCRIPTION	SPLIT FEMALE MULLION SECTION		WEIGHT kg/m
	DRAWING No.	P-9731	SECTION No.
		S2449	
		35651	