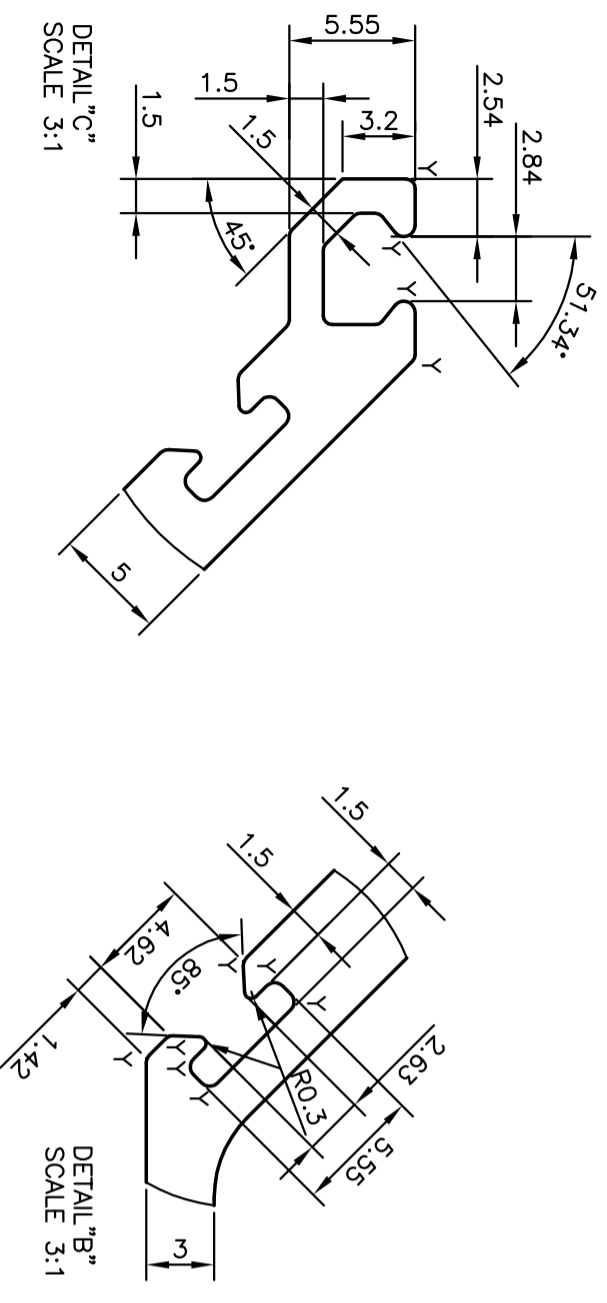
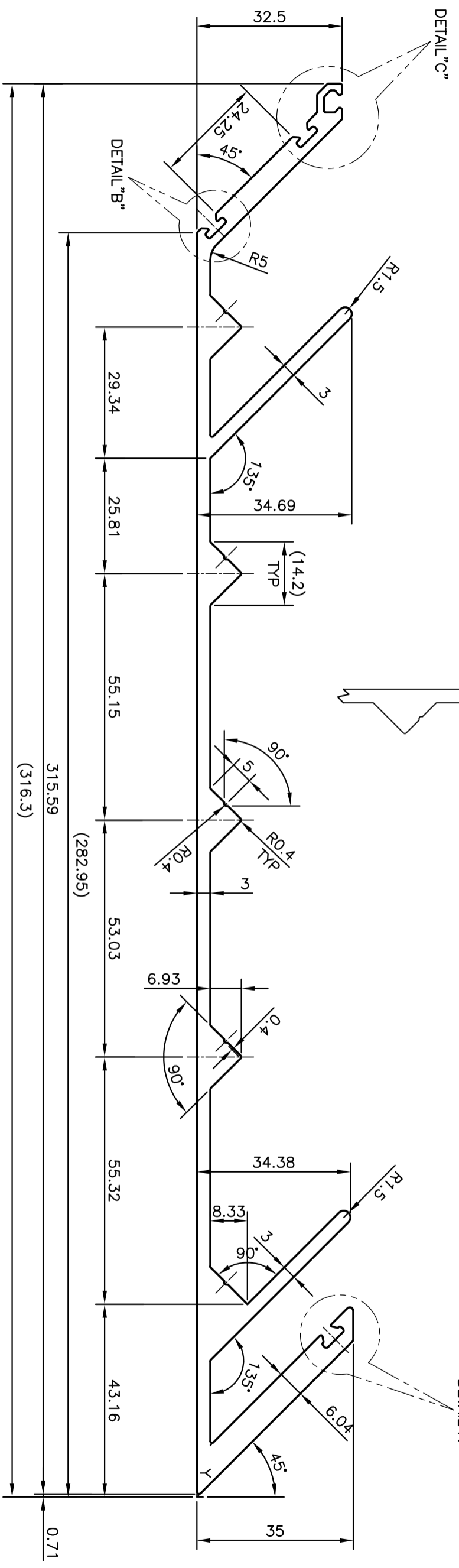
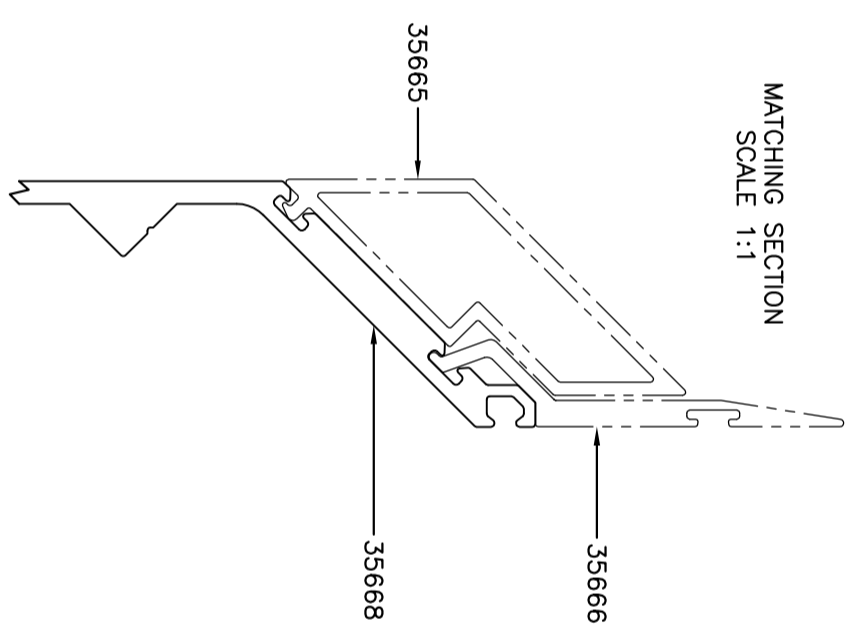
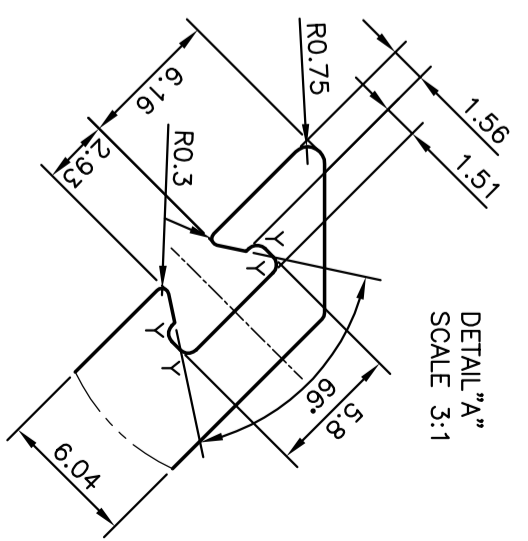


P-10024
S2550
35668

MATCHING SECTION
SCALE 1:1



Y = 0.5 RADIUS (22 PLACES)
UNSPECIFIED RADIUS WILL BE 0.40mm

<p>SYMBOL OF QUALITY AN ISO 9001 COMPANY</p>	<p>JINDAL ALUMINIUM LTD. BANGALORE-560073 (INDIA)</p>		<p>DRAWN NAME RAGHAVENDRA</p>	<p>DATE 15-05-2010</p>	
	<p>1. ALL DIMENSIONS ARE IN mm. 2. ROUND OFF ALL SHARP CORNERS WITH 0.40 mm. 3. TOLERANCES WILL BE AS PER IS:3965-1981 UNLESS OTHERWISE SPECIFIED</p>		<p>CHECKED</p>	<p>APPROVED S.S.GARG</p>	<p>03-06-2010</p>
<p>PARTY'S NAME</p>	<p>ALUPLEX INDIA PVT. LTD., HYDERABAD</p>		<p>SCALE 1:1</p>	<p>AREA mm² 1822.282</p>	<p>PERIMETER mm. 963.967</p>
<p>PARTY'S DRAWING No.</p>	<p>AS PER DRAWING (AP-1096)</p>		<p>WEIGHT kg/m 4.92</p>	<p>DRAWING No. P-10024</p>	<p>SECTION No. -</p>
<p>ALLOY & TEMPER</p>	<p>6063 T6</p>		<p>DESCRIPTION/END USE</p>	<p>CORNER PROFILE (CURTAIN WALL)</p>	
<p>DESCRIPTION/END USE</p>	<p>CORNER PROFILE (CURTAIN WALL)</p>		<p>SCALE 3:1</p>	<p>SCALE 3:1</p>	<p>SCALE 3:1</p>