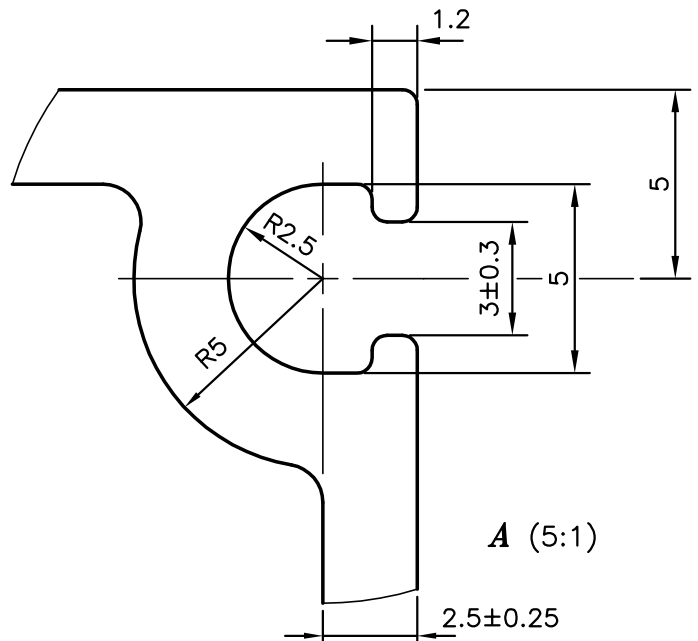
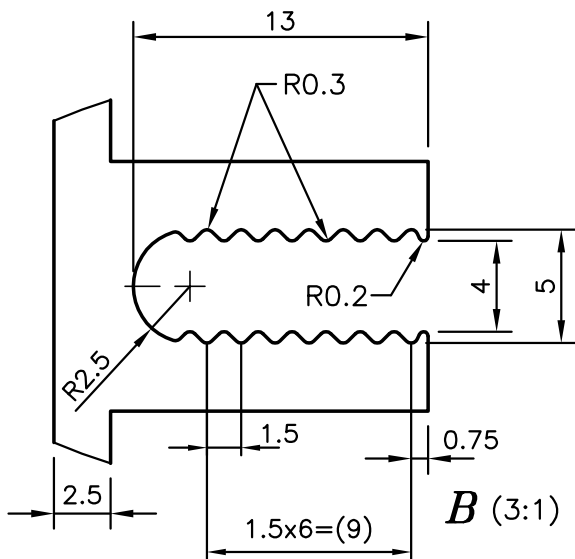
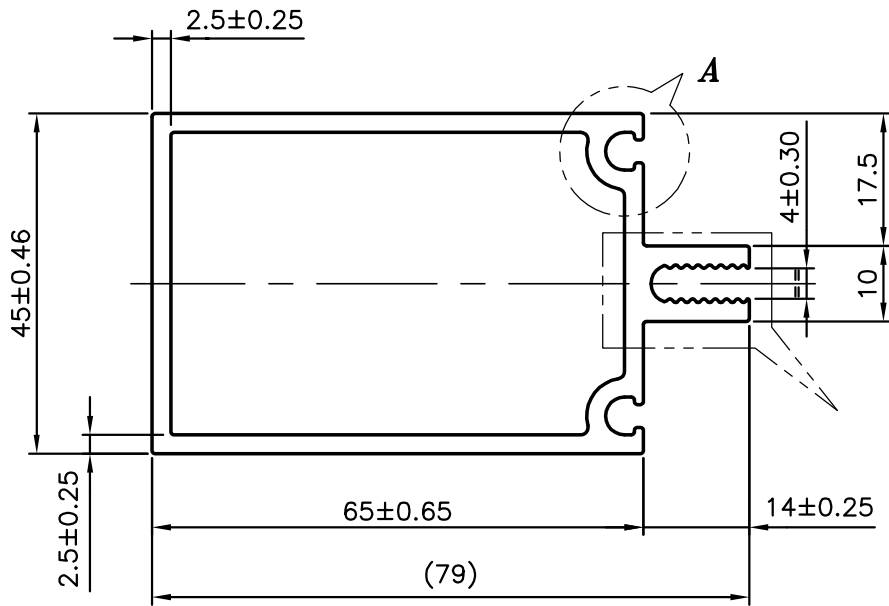


P-10476

S2724

35680



SYMBOL OF QUALITY
AN ISO 9001 COMPANY

JINDAL ALUMINIUM LTD.
BANGALORE-560073 (INDIA)

	NAME	DATE
DRAWN	J.P.KAUSHIK	09-10-2010
CHECKED		
APPROVED	S.S.GARG	12-10-2010
SCALE		1:1
AREA mm ²		632.726
PERIMETER mm.		298.419
WEIGHT kg/m		1.708

1. ALL DIMENSIONS ARE IN mm.
2. ROUND OFF ALL SHARP CORNERS WITH 0.40 mm.
3. TOLERANCES WILL BE AS PER IS:6477-1983 UNLESS OTHERWISE SPECIFIED

PARTY'S NAME	GX GLASS SALES & SERVICES LTD., GURGAON
PARTY'S DRAWING No.	AS PER DRAWING
ALLOY & TEMPER	HE9 WP
DESCRIPTION	CURTAIN WALL SECTION

DRAWING No.	SECTION No.
P-10476	-
S2724	S2724
35680	35680