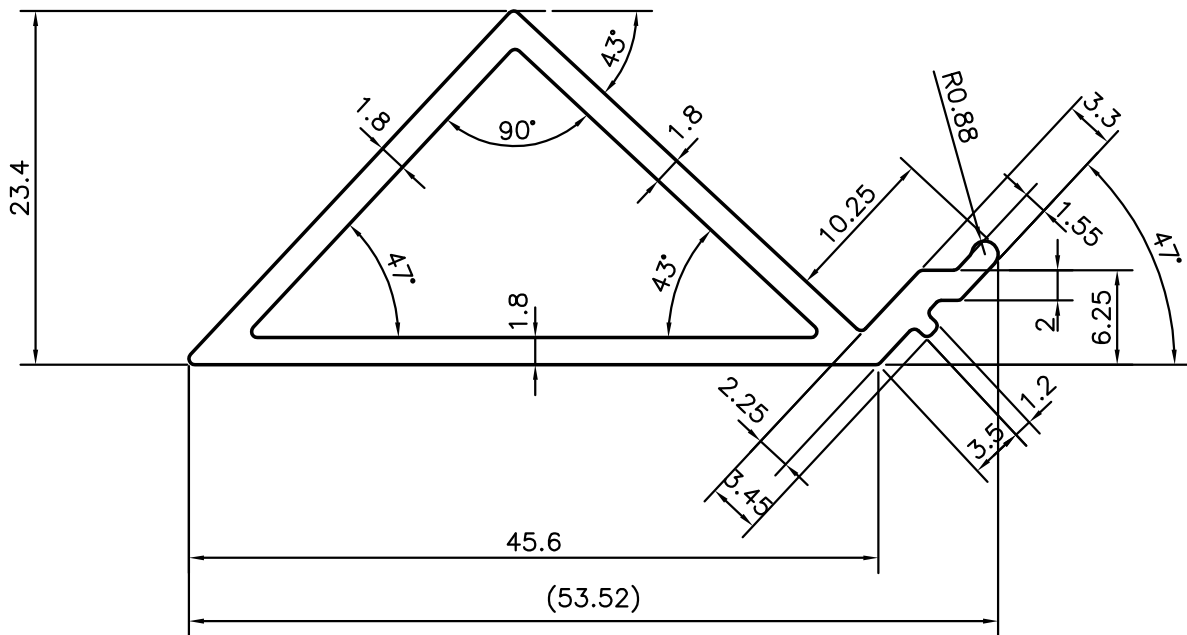
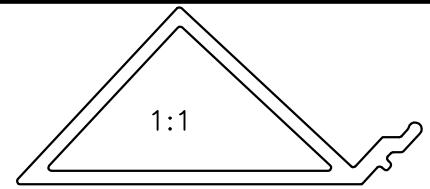


P-11853

S3377

35716



SYMBOL OF QUALITY
AN ISO 9001 COMPANY

JINDAL ALUMINIUM LTD.
BANGALORE-560073 (INDIA)

	NAME	DATE
DRAWN	J.P.KAUSHIK	22-06-2012
CHECKED		
APPROVED	S.S.GARG	05-07-2012

1. ALL DIMENSIONS ARE IN mm.
2. ROUND OFF ALL SHARP CORNERS WITH 0.40 mm.
3. TOLERANCES WILL BE AS PER,BS:EN-755-9 UNLESS OTHERWISE SPECIFIED

SCALE	2:1
AREA mm ²	209.071
PERIMETER mm.	133.712
WEIGHT kg/m	0.564

PARTY'S NAME	SP FABRICATORS PVT. LTD., MUMBAI
PARTY'S DRAWING No.	AL-843
ALLOY & TEMPER	6063 T6
DESCRIPTION	CURTAIN WALL SECTION-CORNER ADAPTER

DRAWING No.	SECTION No.
P-11853	-
S3377	S3377
35716	35716