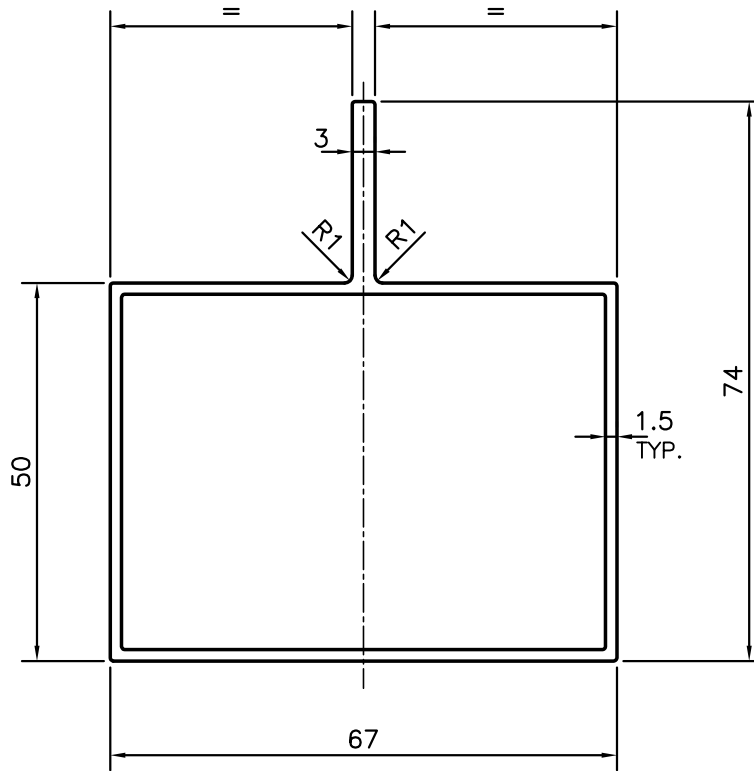


P-12538-1

S3687

35752



SYMBOL OF QUALITY
AN ISO 9001 COMPANY

JINDAL ALUMINIUM LTD.
BANGALORE-560073 (INDIA)

	NAME	DATE
DRAWN	PARVESH	22-02-2013
CHECKED		
APPROVED	S.S.GARG	06-03-2013

1. ALL DIMENSIONS ARE IN mm.
2. ROUND OFF ALL SHARP CORNERS WITH 0.40 mm.
3. TOLERANCES WILL BE AS PER IS:6477-1983, UNLESS OTHERWISE SPECIFIED

SCALE	1:1
AREA mm ²	414.361
PERIMETER mm.	280.112
WEIGHT kg/m	1.119

PARTY'S NAME ALUMINIUM UDYOG, LUCKNOW

DRAWING No. SECTION No.

PARTY'S DRAWING No. AS PER DRAWING

P-12538-1 -

ALLOY & TEMPER HE9 WP

S3687 S3687

35752 35752

DESCRIPTION CURTAIN WALL SECTION-TRANSOM