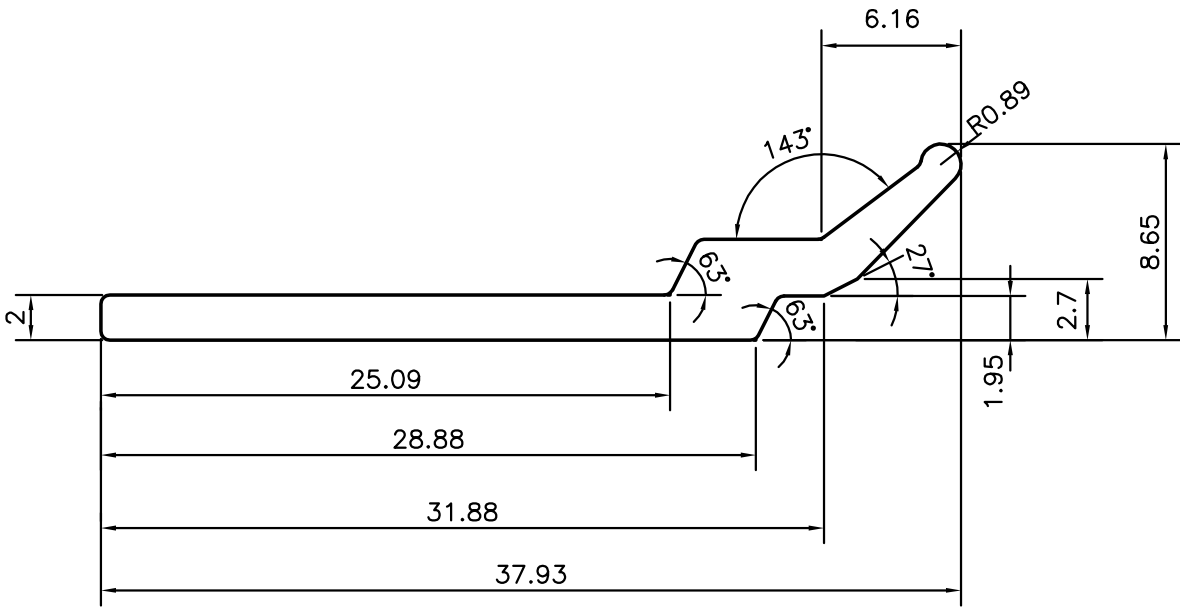
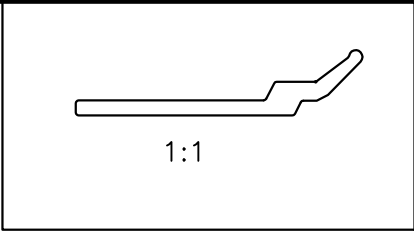



P-10935
S2924
35755



 SYMBOL OF QUALITY AN ISO 9001 COMPANY	JINDAL ALUMINIUM LTD. BANGALORE-560073 (INDIA)	NAME		DATE
		DRAWN	J.P.KAUSHIK	04-05-2011
1. ALL DIMENSIONS ARE IN mm. 2. ROUND OFF ALL SHARP CORNERS WITH 0.40 mm. 3. TOLERANCES WILL BE AS PER IS:3965-1981 UNLESS OTHERWISE SPECIFIED		CHECKED		
		APPROVED		S.S.GARG
PARTY'S NAME ALUMINIUM IINNOVATIONS, BANGALORE		SCALE		3:1
		AREA mm ²		88.643
PARTY'S DRAWING No. AS PER DRAWING		PERIMETER mm.		84.596
		WEIGHT kg/m		0.239
ALLOY & TEMPER 63400 WP		DRAWING No.		P-10935
		SECTION No.		-
DESCRIPTION MISC. SECTION		S2924		S2924
		35755		35755