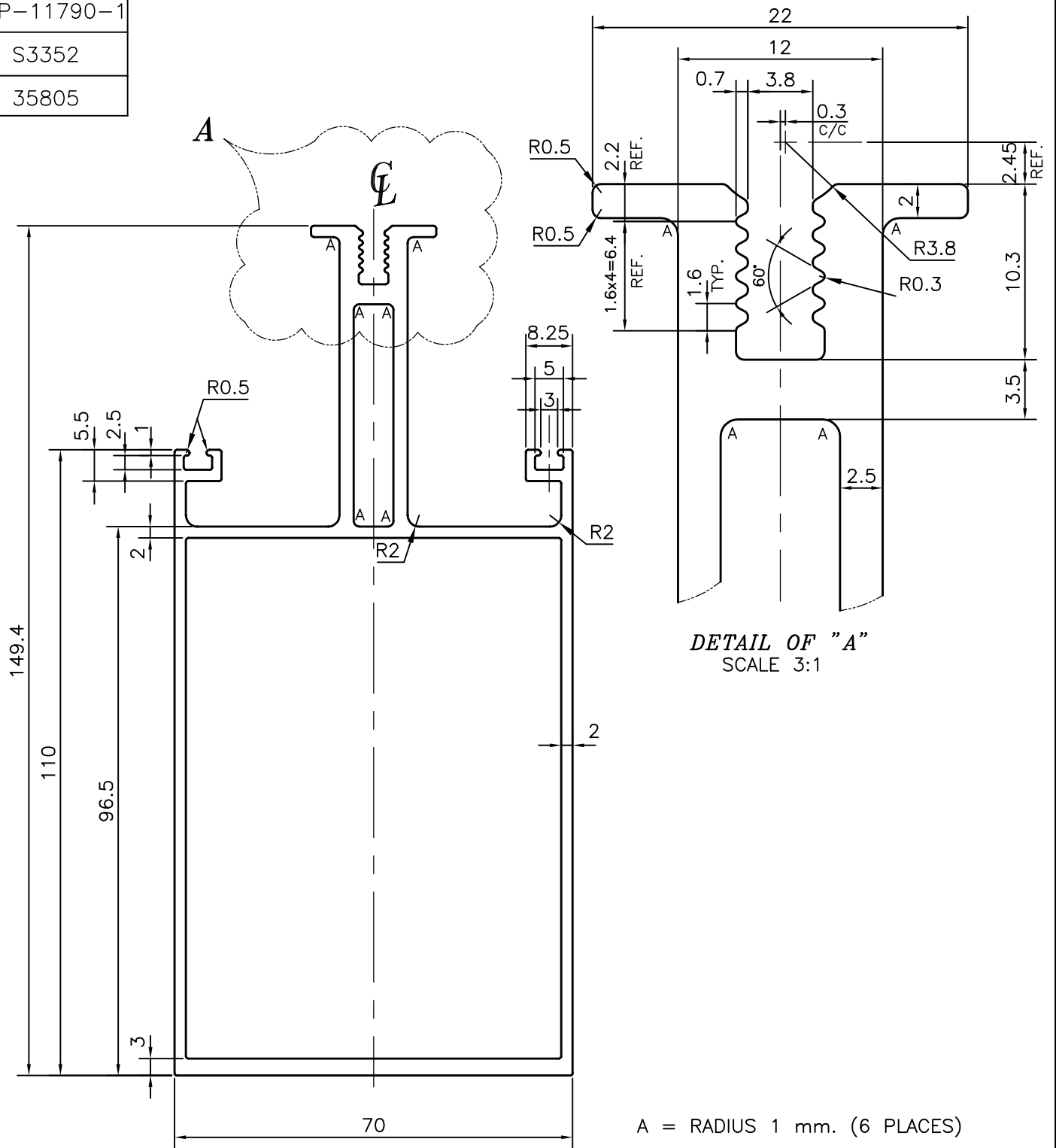


P-11790-1


S3352

35805



DETAIL OF "A"
SCALE 3:1

A = RADIUS 1 mm. (6 PLACES)

 SYMBOL OF QUALITY AN ISO 9001 COMPANY	JINDAL ALUMINIUM LTD. BANGALORE-560073 (INDIA)	NAME	DATE
		DRAWN	PARVESH 08-06-2012
		CHECKED	
		APPROVED	S.S.GARG 18-06-2012
1. ALL DIMENSIONS ARE IN mm. 2. ROUND OFF ALL SHARP CORNERS WITH 0.40 mm. 3. TOLERANCES WILL BE AS PER IS:6477-1983, UNLESS OTHERWISE SPECIFIED		SCALE	1:1
		AREA mm ²	1145.544
		PERIMETER mm.	576.259
		WEIGHT kg/m	3.093
PARTY'S NAME	HATIM GLAZING & CLADDING PVT. LTD., MUMBAI	DRAWING No.	SECTION No.
PARTY'S DRAWING No.	ALU. MULLION SECTION	P-11790-1	-
ALLOY & TEMPER	HE9 WP	S3352	S3352
		35805	35805
DESCRIPTION	CURTAIN WALL SECTION		