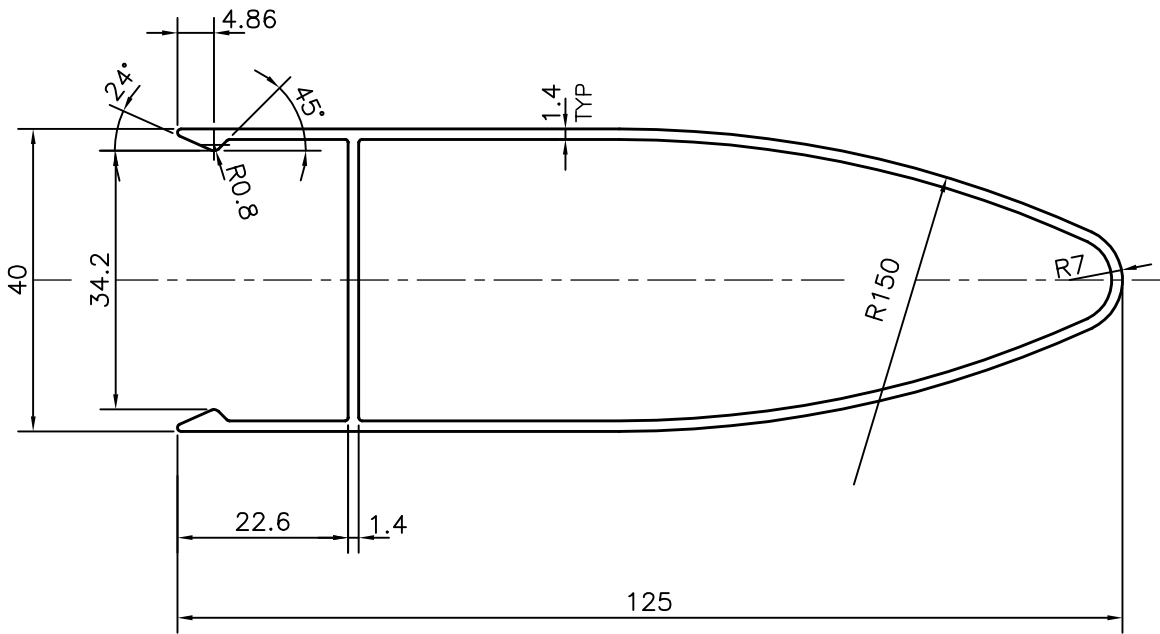
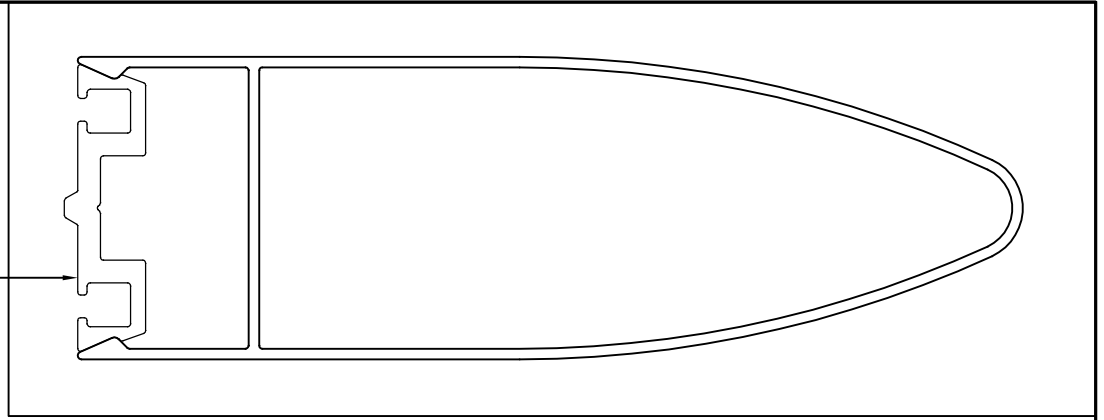


P-13989

35810

S3310



SYMBOL OF QUALITY
AN ISO 9001 COMPANY

JINDAL ALUMINIUM LTD.
BANGALORE-560073 (INDIA)

	NAME	DATE
DRAWN	J.P.KAUSHIK	13-09-2014
CHECKED		
APPROVED	S.S.GARG	15-09-2014

1. ALL DIMENSIONS ARE IN mm.
2. ROUND OFF ALL SHARP CORNERS WITH 0.40 mm.
3. TOLERANCES WILL BE AS PER,IS:6477-1983 UNLESS OTHERWISE SPECIFIED

SCALE	1:1
AREA mm ²	423.439
PERIMETER mm.	346.869
WEIGHT kg/m	1.143

PARTY'S NAME	GENERAL CATEGORY, DELHI MARKET	DRAWING No.	SECTION No.
PARTY'S DRAWING No.	AS PER DRAWING	P-13989	-
ALLOY & TEMPER	HE9 WP	35810	35810
DESCRIPTION	CURTAIN WALL SECTION		