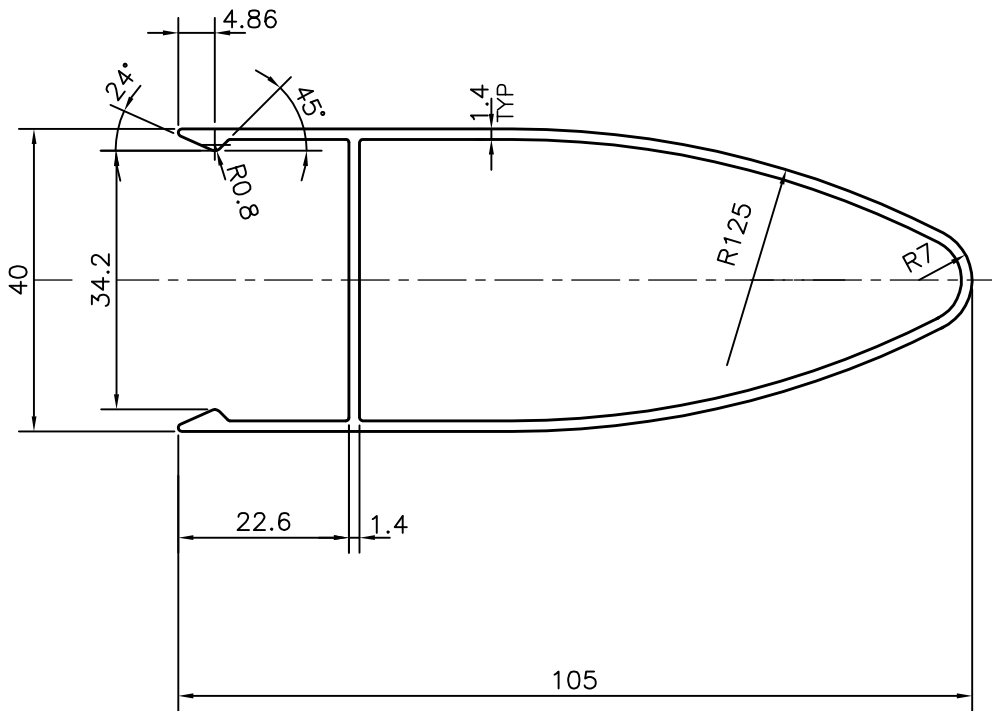
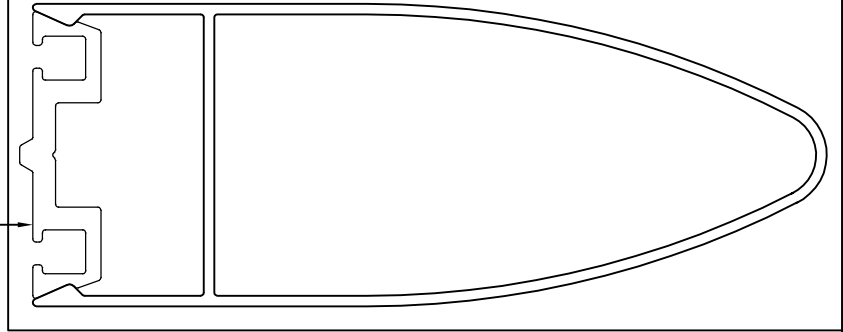


P-13990

35811

S3310



SYMBOL OF QUALITY  
AN ISO 9001 COMPANY

**JINDAL ALUMINIUM LTD.**  
BANGALORE-560073 (INDIA)

	NAME	DATE
DRAWN	J.P.KAUSHIK	13-09-2014
CHECKED		
APPROVED	S.S.GARG	15-09-2014
SCALE		1:1
AREA mm <sup>2</sup>		367.986
PERIMETER mm.		307.568
WEIGHT kg/m		0.994
DRAWING No.	SECTION No.	
P-13990	-	
35811	35811	

1. ALL DIMENSIONS ARE IN mm.
2. ROUND OFF ALL SHARP CORNERS WITH 0.40 mm.
3. TOLERANCES WILL BE AS PER,IS:6477-1983 UNLESS OTHERWISE SPECIFIED

PARTY'S NAME	GENERAL CATEGORY, DELHI MARKET
PARTY'S DRAWING No.	AS PER DRAWING
ALLOY & TEMPER	HE9 WP
DESCRIPTION	CURTAIN WALL SECTION