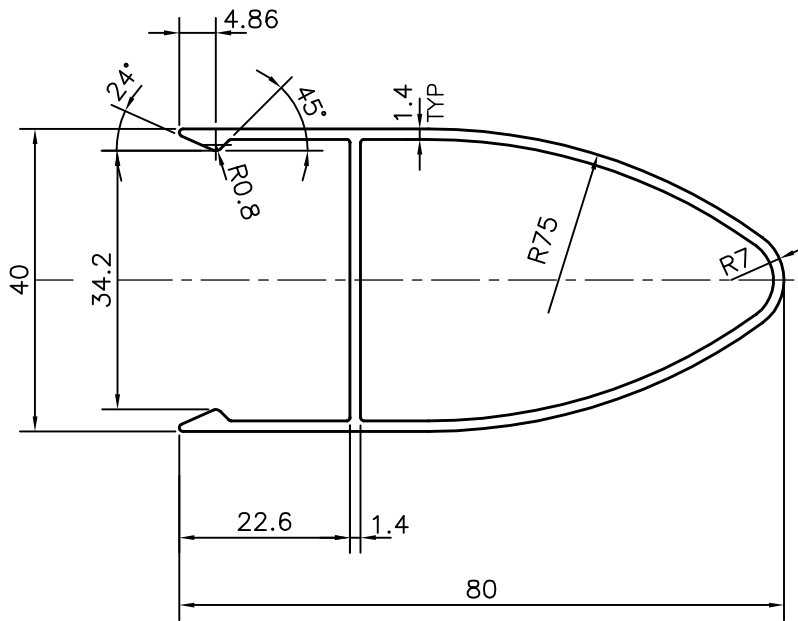
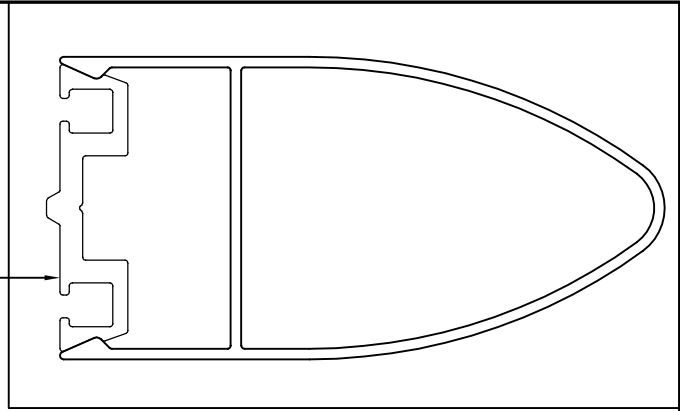


P-13991

35812

S3310



SYMBOL OF QUALITY  
AN ISO 9001 COMPANY

**JINDAL ALUMINIUM LTD.**  
BANGALORE-560073 (INDIA)

	NAME	DATE
DRAWN	J.P.KAUSHIK	13-09-2014
CHECKED		
APPROVED	S.S.GARG	15-09-2014

1. ALL DIMENSIONS ARE IN mm.
2. ROUND OFF ALL SHARP CORNERS WITH 0.40 mm.
3. TOLERANCES WILL BE AS PER,IS:6477-1983 UNLESS OTHERWISE SPECIFIED

SCALE	1:1
AREA mm <sup>2</sup>	299.923
PERIMETER mm.	258.643
WEIGHT kg/m	0.810

PARTY'S NAME	GENERAL CATEGORY, DELHI MARKET	DRAWING No.	P-13991	SECTION No.	-
PARTY'S DRAWING No.	AS PER DRAWING		35812		35812
ALLOY & TEMPER	HE9 WP				
DESCRIPTION	CURTAIN WALL SECTION				