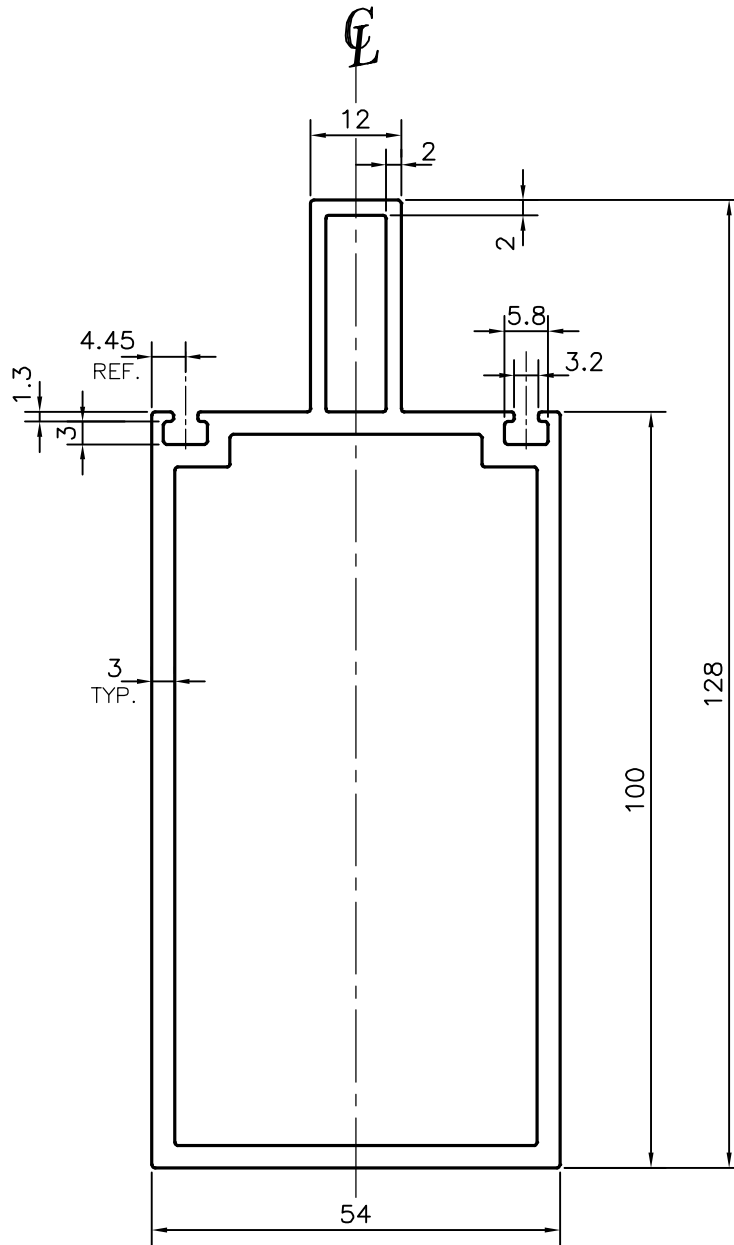


P-12249

S3572

35835



SYMBOL OF QUALITY
AN ISO 9001 COMPANY

JINDAL ALUMINIUM LTD.
BANGALORE-560073 (INDIA)

	NAME	DATE
DRAWN	PARVESH	20-11-2012
CHECKED		
APPROVED	S.S.GARG	29-11-2012
SCALE		1:1
AREA mm ²		1036.227
PERIMETER mm.		387.48
WEIGHT kg/m		2.798
DRAWING No.	SECTION No.	
P-12249	-	
S3572	S3572	
35835	35835	

1. ALL DIMENSIONS ARE IN mm.
2. ROUND OFF ALL SHARP CORNERS WITH 0.40 mm.
3. TOLERANCES WILL BE AS PER IS:6477-1983 , UNLESS OTHERWISE SPECIFIED

PARTY'S NAME	SIDHU CONSTRUCTION CO., BIKANER
PARTY'S DRAWING No.	MODIFIED OF SECTION No. 22727
ALLOY & TEMPER	HE9 WP
DESCRIPTION	CURTAIN WALL SECTION