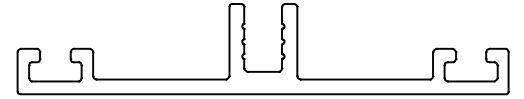
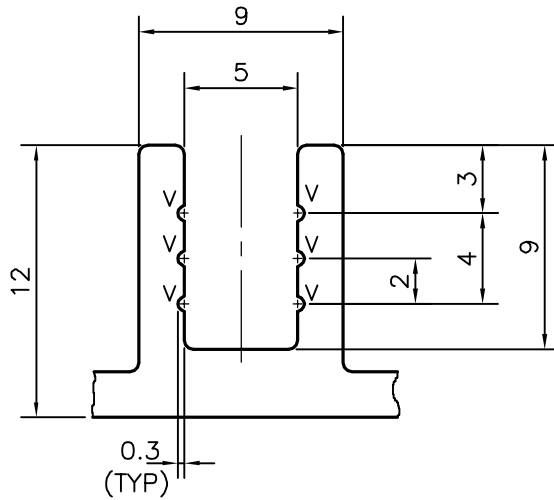


P-12603

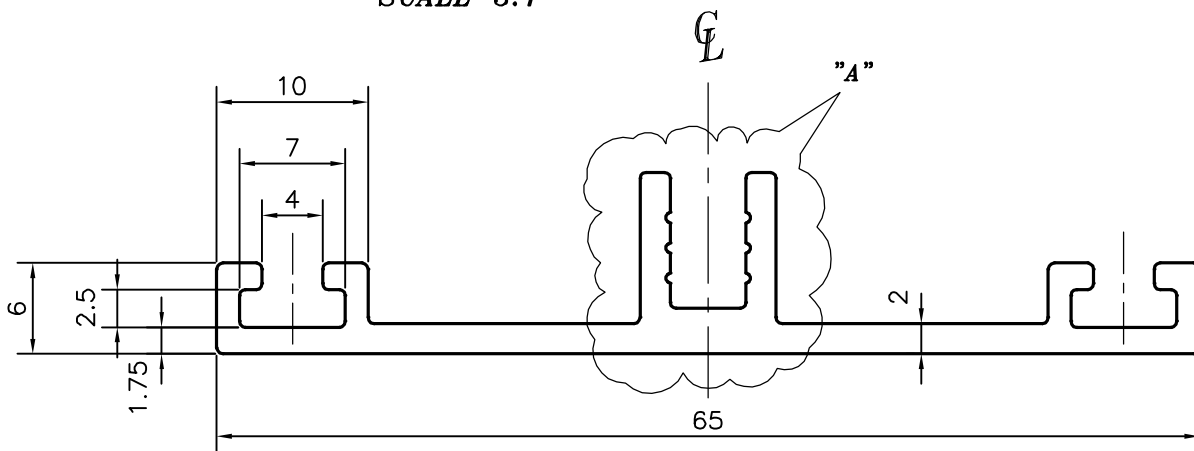
S3700

35858



SCALE 1:1

**DETAILS OF "A"**  
**SCALE 3:1**



V = VEE GROVE 0.3x60° (6 PLACES)



SYMBOL OF QUALITY  
AN ISO 9001 COMPANY

**JINDAL ALUMINIUM LTD.**  
**BANGALORE-560073 (INDIA)**

	NAME	DATE
DRAWN	<b>SRIVATHSA</b>	14-03-2013
CHECKED		
APPROVED	<b>S.S.CARG</b>	19-03-2013

1. ALL DIMENSIONS ARE IN mm.
2. ROUND OFF ALL SHARP CORNERS WITH 0.40 mm.
3. TOLERANCES WILL BE AS PER IS:3965-1981, UNLESS OTHERWISE SPECIFIED

SCALE	2:1
AREA mm <sup>2</sup>	204.985
PERIMETER mm.	213.198
WEIGHT kg/m	0.553

PARTY'S NAME	AKSHAR ACCOMODATIONS PVT. LTD., NAVI MUMBAI
PARTY'S DRAWING No.	AS PER SKETCH
ALLOY & TEMPER	HE9 WP
DESCRIPTION	CURTAIN WALL SECTION

DRAWING No.	SECTION No.
P-12603	-
S3700	S3700
35858	35858