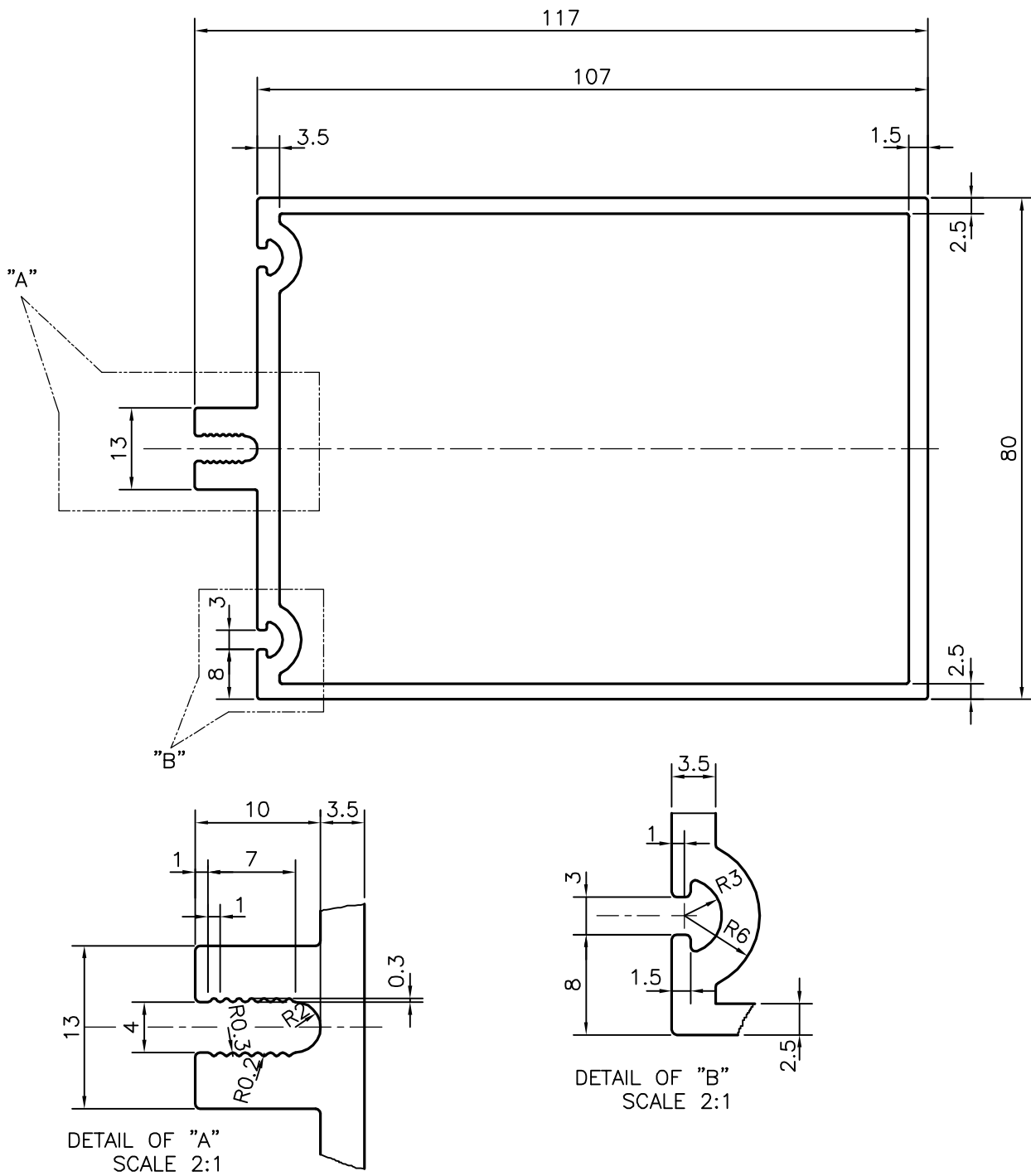


P-15739

35898



SYMBOL OF QUALITY
AN ISO 9002 COMPANY

JINDAL ALUMINIUM LTD.
BANGALORE-560073 (INDIA)

	NAME	DATE
DRAWN	J.P.KAUSHIK	01-04-2016
CHECKED		
APPROVED	B. NATARAJ	07-04-2016
SCALE		1:1
AREA mm ²		1135.804
PERIMETER mm.		433.574
WEIGHT kg/m		3.067
DRAWING No.	SECTION No.	
P-15739	-	
35898	35898	

1. ALL DIMENSIONS ARE IN mm.
2. ROUND OFF ALL SHARP CORNERS WITH 0.40 mm.
3. TOLERANCES WILL BE AS PER IS:6477-1983 UNLESS OTHERWISE SPECIFIED

PARTY'S NAME	GENERAL CATEGORY, DELHI MARKET
PARTY'S DRAWING No.	AS PER DRAWING
ALLOY & TEMPER	HE9 WP
DESCRIPTION	CURTAIN WALL SECTION-TRANSOM