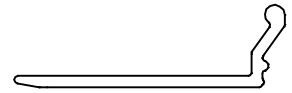


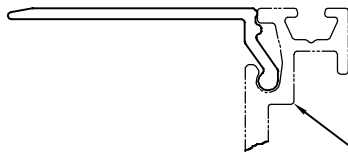
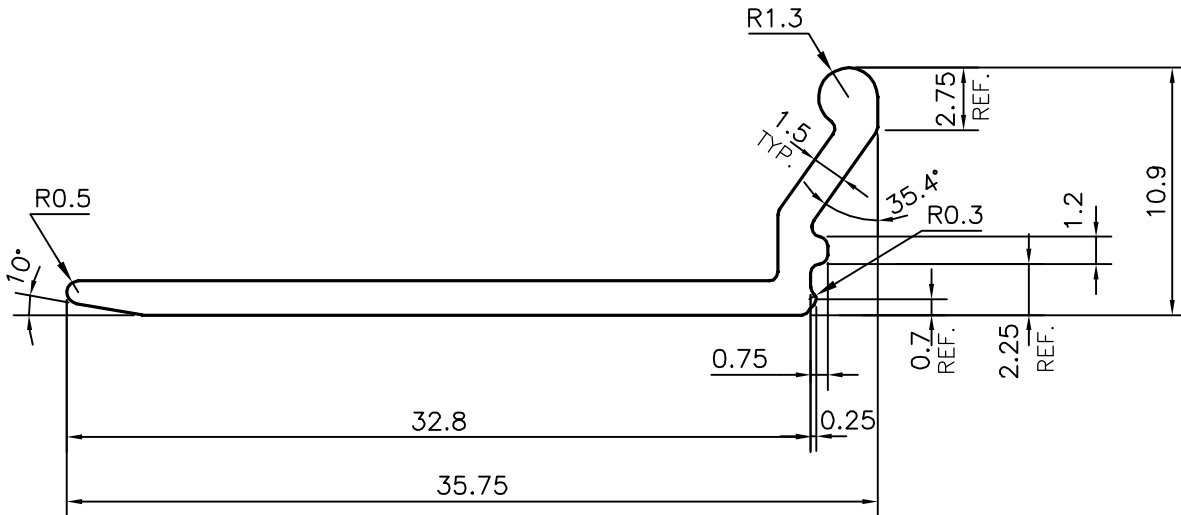
P-11813-1

S3403

35909



SCALE :- 1:1



S3402, S3404, S3406, S3409



SYMBOL OF QUALITY  
AN ISO 9001 COMPANY

**JINDAL ALUMINIUM LTD.**  
BANGALORE-560073 (INDIA)

	NAME	DATE
DRAWN	PARVESH	18-06-2012
CHECKED		
APPROVED	S.S.GARG	19-07-2012

1. ALL DIMENSIONS ARE IN mm.
2. ROUND OFF ALL SHARP CORNERS WITH 0.40 mm.
3. TOLERANCES WILL BE AS PER IS:3965-1981, UNLESS OTHERWISE SPECIFIED

SCALE	3:1
AREA mm <sup>2</sup>	66.35
PERIMETER mm.	89.073
WEIGHT kg/m	0.179

PARTY'S NAME	TRUEWALL SPECIALITIES PVT. LTD., MUMBAI	DRAWING No.	P-11813-1	SECTION No.	-
PARTY'S DRAWING No.	AS PER DRAWING & REQUIREMENT	S3403	S3403		
ALLOY & TEMPER	6063 T6	35909	35909		
DESCRIPTION	CURTAIN WALL SECTION				