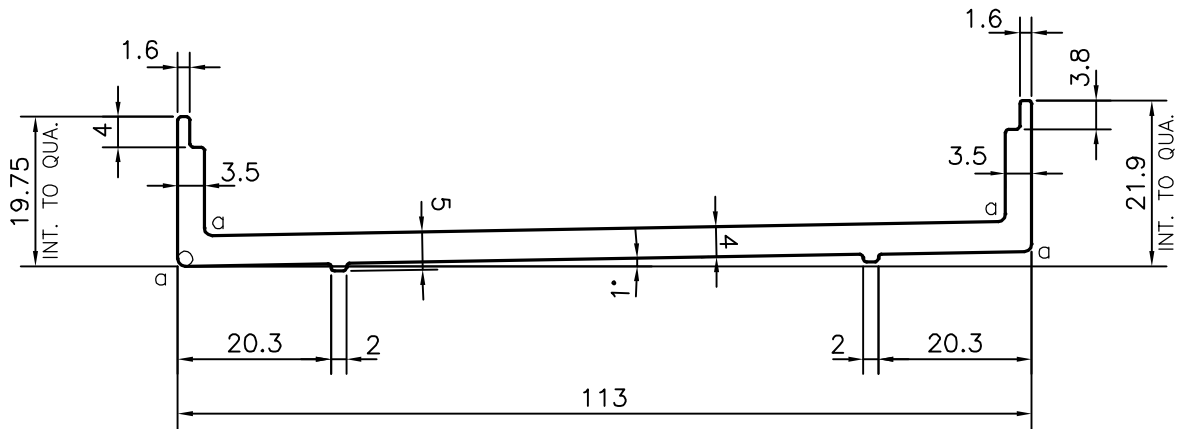
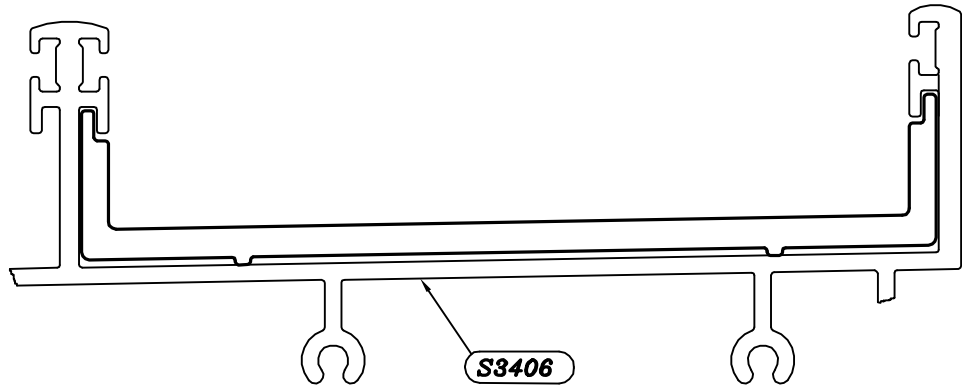


P-11817

S3407

35913



a = RADIUS 1 mm. (4 PLACES)



SYMBOL OF QUALITY
AN ISO 9001 COMPANY

JINDAL ALUMINIUM LTD.
BANGALORE-560073 (INDIA)

	NAME	DATE
DRAWN	PARVESH	13-06-2012
CHECKED		
APPROVED	S.S.GARG	19-07-2012
SCALE		1:1
AREA mm ²		552.103
PERIMETER mm.		296.992
WEIGHT kg/m		1.491
DRAWING No.	SECTION No.	
P-11817	-	
S3407	S3407	
35913	35913	

1. ALL DIMENSIONS ARE IN mm.
2. ROUND OFF ALL SHARP CORNERS WITH 0.40 mm.
3. TOLERANCES WILL BE AS PER IS:3965-1981, UNLESS OTHERWISE SPECIFIED

PARTY'S NAME	TRUEWALL SPECIALITIES PVT. LTD., MUMBAI
PARTY'S DRAWING No.	AS PER DRAWING
ALLOY & TEMPER	6063 T6
DESCRIPTION	CURTAIN WALL SECTION