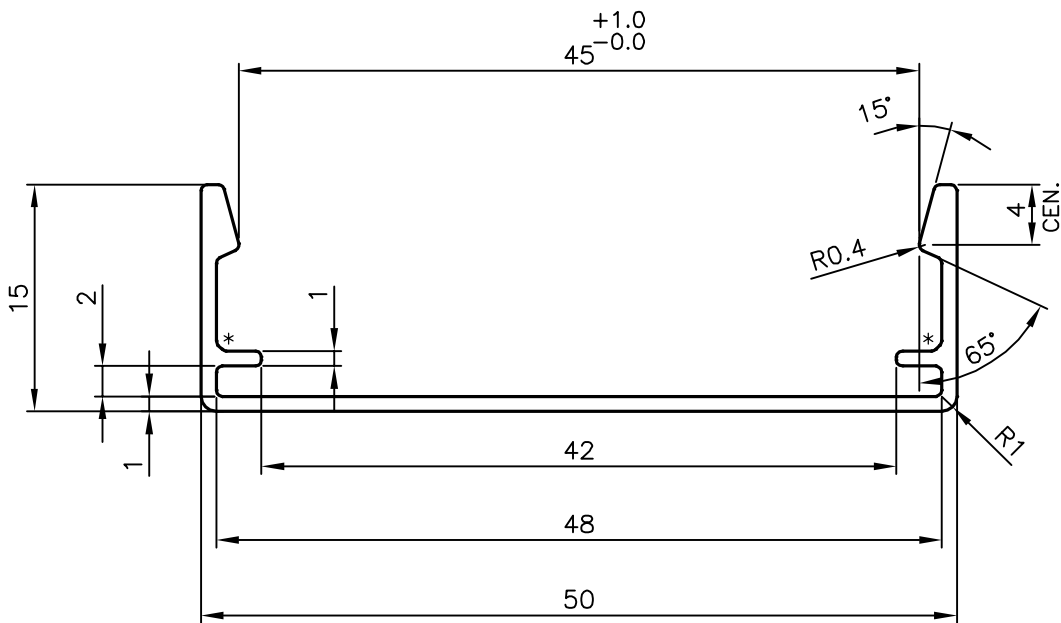
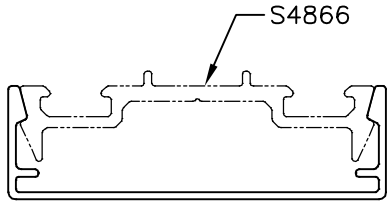
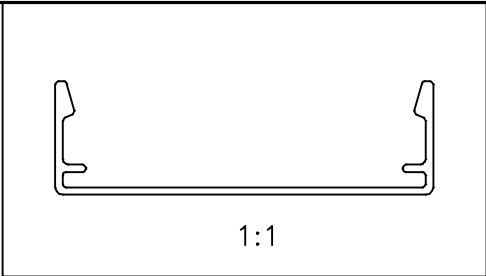



P-15613-1
S4864
36001



\* = CHAMFER 0.5x45° (2 PLACES)

 SYMBOL OF QUALITY AN ISO 9001 COMPANY	<b>JINDAL ALUMINIUM LTD.</b> BANGALORE-560073 (INDIA)	DRAWN	J.P.KAUSHIK	23-02-2016	
		CHECKED			
1. ALL DIMENSIONS ARE IN mm. 2. ROUND OFF ALL SHARP CORNERS WITH 0.40 mm. 3. TOLERANCES WILL BE AS PER IS:3965-1981 UNLESS OTHERWISE SPECIFIED		APPROVED	S.S.GARG	27-03-2016	
		SCALE		2:1	
PARTY'S NAME		D-GLAZE, GHAZIABAD			
		PARTY'S DRAWING No.		AS PER AutoCAD DRAWING & REQUIREMENT	
ALLOY & TEMPER		6063 T6			
		DESCRIPTION		CURTAIN WALL SECTION	
		DRAWING No.	P-15613-1	SECTION No.	-
			S4864		S4864
			36001		36001